

MASSUSE SOLID STATE RELAY

AC to AC Solid State Relay

MS4025AA MS4075AA MS40125AA

MS4040AA MS4090AA

MS4050AA MS40100AA

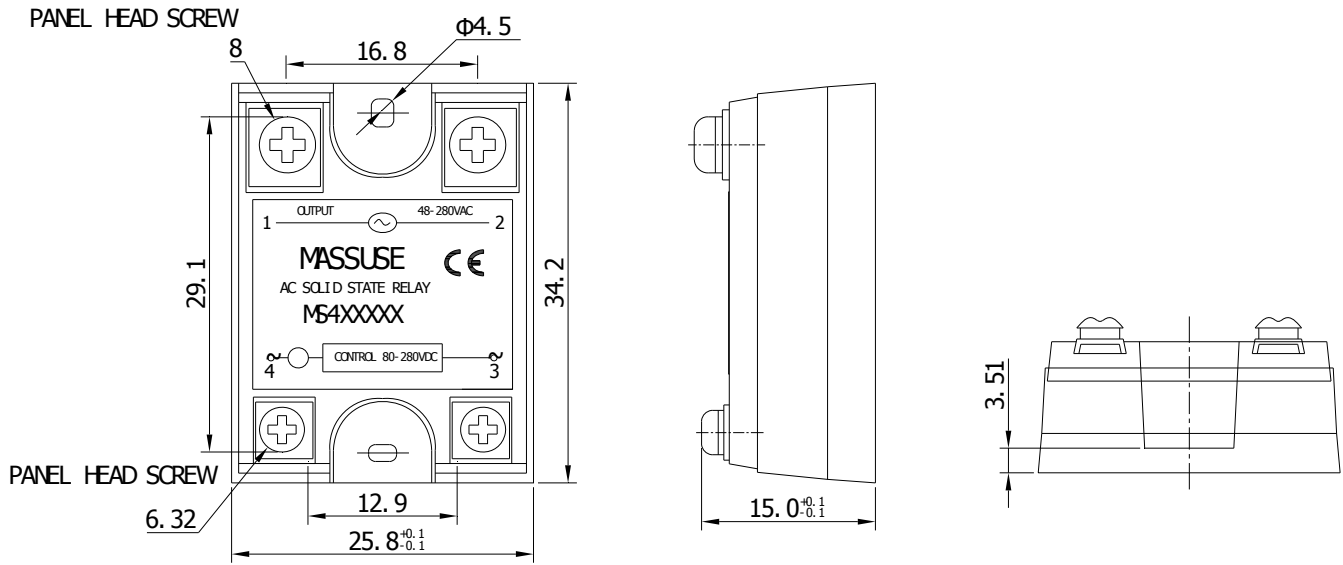
SPECIFICATION

Model No.	Control Voltage Range	Must Turn Off Voltage	Input Impedance	Max. Load Current	Load Voltage Range	Min Blocking Voltage	Max Off-State Leakage	Frequency Range	Max 1-Cycle Peak Surge
MS4025AA	80 to 280VAC	Max. 10VAC	1.5Kohm	25A	48-480VAC	1200VAC	15mA	47 – 70HZ	260A
MS4040AA	80 to 280VAC	Max. 10VAC	1.5Kohm	40A	48-480VAC	1200VAC	15mA	47 – 70HZ	400A
MS4050AA	80 to 280VAC	Max. 10VAC	1.5Kohm	50A	48-480VAC	1200VAC	15mA	47 – 70HZ	625A
MS4075AA	80 to 280VAC	Max. 10VAC	1.5Kohm	75A	48-480VAC	1200VAC	15mA	47 – 70HZ	1000A
MS4090AA	80 to 280VAC	Max. 10VAC	1.5Kohm	90A	48-480VAC	1200VAC	15mA	47 – 70HZ	1100A
MS40100AA	80 to 280VAC	Max. 10VAC	1.5Kohm	100A	48-480VAC	1200VAC	15mA	47 – 70HZ	1200A
MS40125AA	80 to 280VAC	Max. 10VAC	1.5Kohm	125A	48-480VAC	1200VAC	15mA	47 – 70HZ	1250A

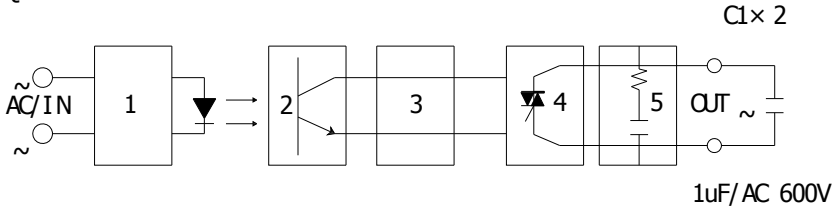
Model No.	Max Off State dv / dt	Max On-State Voltage Drop	Isolate Impedance	Dielectric Strength Input-Output	Dielectric Strength Input, Output - case	Turn On Time	Turn Off Time	Capacitance In-Out	Weight (g)
MS4025AA	200 V / μ SEC	2.0VAC	10 ⁹ ohm	4000VACrms	2500 VACrms	Less 2msec	Less 1/2AC cycle	Less 15 pf	100 g
MS4040AA	200 V / μ SEC	2.0VAC	10 ⁹ ohm	4000VACrms	2500 VACrms	Less 2msec	Less 1/2AC cycle	Less 15 pf	100 g
MS4050AA	200 V / μ SEC	2.0VAC	10 ⁹ ohm	4000VACrms	2500 VACrms	Less 2msec	Less 1/2AC cycle	Less 15 pf	100 g
MS4075AA	200 V / μ SEC	2.0VAC	10 ⁹ ohm	4000VACrms	2500 VACrms	Less 2msec	Less 1/2AC cycle	Less 15 pf	100 g
MS4090AA	200 V / μ SEC	2.0VAC	10 ⁹ ohm	4000VACrms	2500 VACrms	Less 2msec	Less 1/2AC cycle	Less 15 pf	100 g
MS40100AA	200 V / μ SEC	2.0VAC	10 ⁹ ohm	4000VACrms	2500 VACrms	Less 2msec	Less 1/2AC cycle	Less 15 pf	100 g
MS40125AA	200 V / μ SEC	2.0VAC	10 ⁹ ohm	4000VACrms	2500 VACrms	Less 2msec	Less 1/2AC cycle	Less 15 pf	120 g

MASSUSE SOLID STATE RELAY

Dimensions(unit: mm)



EQUIVALENT CIRCUIT



1. INPUT CIRCUIT
2. PHOTO DETECTOR
3. ZERO-CROSS CIRCUIT
4. OUTPUT CIRCUIT
5. PROTECTED CIRCUIT