

# MASSUSE SOLID STATE RELAY

## 3 Phase Solid State Relay (DC – AC)

MS3I2025DA            MS3I20100DA

MS3I2040DA           MS3I4025DA

MS3I2050DA           MS3I4040DA

MS3I2075DA           MS3I4050DA

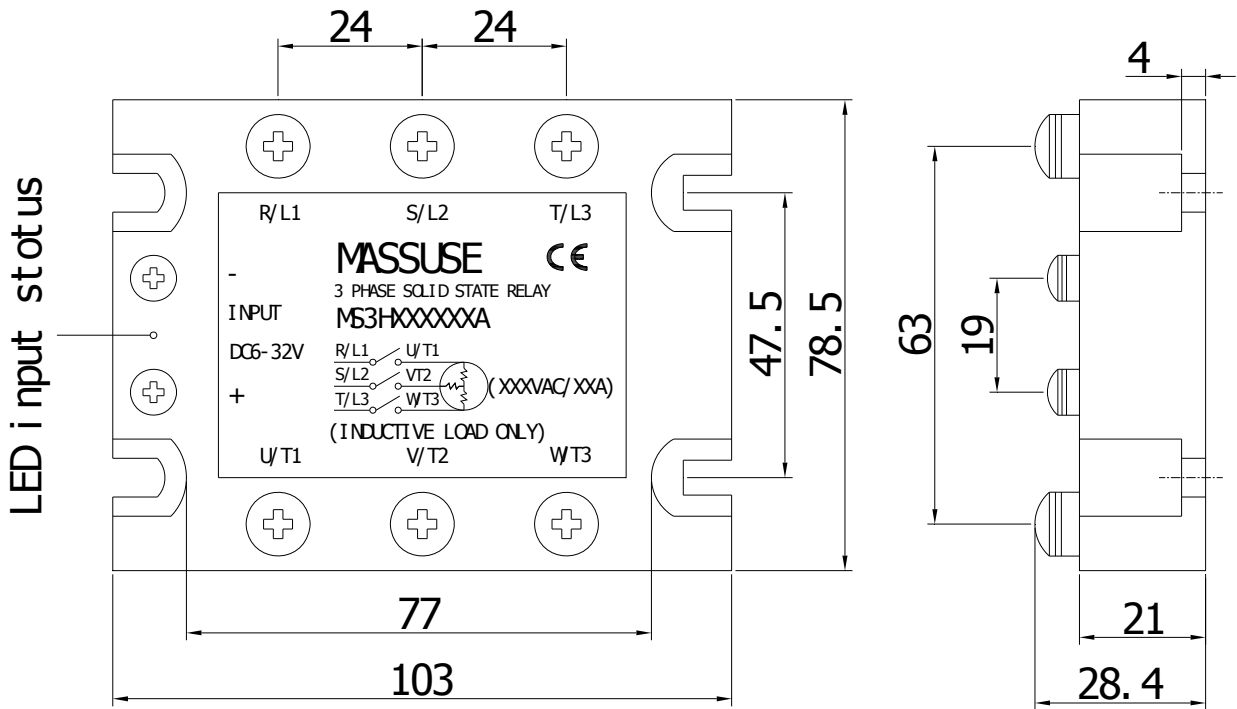
### SPECIFICATION

Model No.	Control Voltage Range	Must Turn Off Voltage	Input Impedance	Max. Load Current	Load Voltage Range	Min Blocking Voltage	Max Off-State Leakage	Frequency Range	Max 1-Cycle Peak Surge
MS3I2025DA	6 to 12VDC	Max. 9.5 VDC	1.5Kohm	25A	24 – 280VAC	600VAC	Less 10 mA	47 – 63HZ	315A
MS3I2040DA	6 to 12VDC	Max. 9.5 VDC	1.5Kohm	40A	24 – 280VAC	600VAC	Less 10 mA	47 – 63HZ	450A
MS3I2050DA	6 to 12VDC	Max. 9.5 VDC	1.5Kohm	50A	24 – 280VAC	600VAC	Less 10 mA	47 – 63HZ	560A
MS3I2075DA	6 to 12VDC	Max. 9.5 VDC	1.5Kohm	75A	24 – 280VAC	600VAC	Less 10 mA	47 – 63HZ	750A
MS3I20100DA	6 to 12VDC	Max. 9.5 VDC	1.5Kohm	100A	24 – 280VAC	600VAC	Less 10 mA	47 – 63HZ	1030A
MS3I4025DA	12 to 32VDC	Max. 9.5 VDC	1.5Kohm	25A	48 – 480VAC	1200VAC	Less 10 mA	47 – 63HZ	315A
MS3I4040DA	12 to 32VDC	Max. 9.5 VDC	1.5Kohm	40A	48 – 480VAC	1200VAC	Less 10 mA	47 – 63HZ	450A
MS3I4050DA	12 to 32VDC	Max. 9.5 VDC	1.5Kohm	50A	48 – 480VAC	1200VAC	Less 10 mA	47 – 63HZ	560A

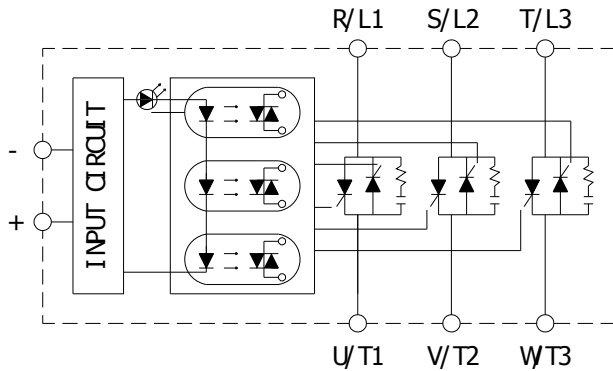
Model No.	Max Off State dv / dt	Max On-State Voltage Drop	Isolate Impedance	Dielectric Strength Input-Output	Dielectric Strength Input, Output - case	Turn On Time	Turn Off Time	Capacitance In-Out	Weight (g)
MS3I2025DA	250 V / $\mu$ SEC	1.6Vrms	10 <sup>9</sup> ohm	2500Vrms	2500 Vrms	Less 1/2AC cycle	Less 1/2AC cycle	Less 473pf	600 g
MS3I2040DA	250 V / $\mu$ SEC	1.6Vrms	10 <sup>9</sup> ohm	2500Vrms	2500 Vrms	Less 1/2AC cycle	Less 1/2AC cycle	Less 473pf	600 g
MS3I2050DA	250 V / $\mu$ SEC	1.6Vrms	10 <sup>9</sup> ohm	2500Vrms	2500 Vrms	Less 1/2AC cycle	Less 1/2AC cycle	Less 473pf	600 g
MS3I2075DA	250 V / $\mu$ SEC	1.6Vrms	10 <sup>9</sup> ohm	2500Vrms	2500 Vrms	Less 1/2AC cycle	Less 1/2AC cycle	Less 473pf	600 g
MS3I20100DA	250 V / $\mu$ SEC	1.6Vrms	10 <sup>9</sup> ohm	2500Vrms	2500 Vrms	Less 1/2AC cycle	Less 1/2AC cycle	Less 473pf	600 g
MS3I4025DA	500 V / $\mu$ SEC	1.6Vrms	10 <sup>9</sup> ohm	2500Vrms	2500 Vrms	Less 1/2AC cycle	Less 1/2AC cycle	Less 473pf	600 g
MS3I4040DA	500 V / $\mu$ SEC	1.6Vrms	10 <sup>9</sup> ohm	2500Vrms	2500 Vrms	Less 1/2AC cycle	Less 1/2AC cycle	Less 473pf	600 g
MS3I4050DA	500 V / $\mu$ SEC	1.6Vrms	10 <sup>9</sup> ohm	2500Vrms	2500 Vrms	Less 1/2AC cycle	Less 1/2AC cycle	Less 473pf	600 g

# MASSUSE SOLID STATE RELAY

Dimensions(unit: mm)



## EQUIVALENT CIRCUIT



## Example of 3Φ SSR Application

