

MASSUSE SOLID STATE RELAY

3 Phase Solid State Relay (AC – AC)

MS3I2025AA	MS3I4025AA
MS3I2040AA	MS3I4040AA
MS3I2050AA	MS3I4050AA
MS3I2075AA	MS3I4075AA
MS3I20100AA	MS3I40100AA

SPECIFICATION

Model No.	Control Voltage Range	Must Turn Off Voltage	Input Impedance	Max. Load Current	Load Voltage Range	Min Blocking Voltage	Max Off-State Leakage	Frequency Range	Max 1-Cycle Peak Surge
MS3I2025AA	80 to 280VAC	Max. 9.5 VDC	1.5Kohm	25A	24 – 280VAC	600VAC	Less 10 mA	47 – 63HZ	315A
MS3I2040AA	80 to 280VAC	Max. 9.5 VDC	1.5Kohm	40A	24 – 280VAC	600VAC	Less 10 mA	47 – 63HZ	450A
MS3I2050AA	80 to 280VAC	Max. 9.5 VDC	1.5Kohm	50A	24 – 280VAC	600VAC	Less 10 mA	47 – 63HZ	560A
MS3I2075AA	80 to 280VAC	Max. 9.5 VDC	1.5Kohm	75A	24 – 280VAC	600VAC	Less 10 mA	47 – 63HZ	750A
MS3I20100AA	80 to 280VAC	Max. 9.5 VDC	1.5Kohm	100A	24 – 280VAC	600VAC	Less 10 mA	47 – 63HZ	1030A
MS3I4025AA	80 to 280VAC	Max. 9.5 VDC	1.5Kohm	25A	48 – 480VAC	1200VAC	Less 10 mA	47 – 63HZ	315A
MS3I4040AA	80 to 280VAC	Max. 9.5 VDC	1.5Kohm	40A	48 – 480VAC	1200VAC	Less 10 mA	47 – 63HZ	450A
MS3I4050AA	80 to 280VAC	Max. 9.5 VDC	1.5Kohm	50A	48 – 480VAC	1200VAC	Less 10 mA	47 – 63HZ	560A
MS3I4075AA	80 to 280VAC	Max. 9.5 VDC	1.5Kohm	75A	48 – 480VAC	1200VAC	Less 10 mA	47 – 63HZ	750A
MS3I40100AA	80 to 280VAC	Max. 9.5 VDC	1.5Kohm	100A	48 – 480VAC	1200VAC	Less 10 mA	47 – 63HZ	1030A

Model No.	Max Off State dv / dt	Max On-State Voltage Drop	Isolate Impedance	Dielectric Strength Input-Output	Dielectric Strength Input, Output - case	Turn On Time	Turn Off Time	Capacitance In-Out	Weight (g)
MS3I2025AA	500 V / μ SEC	1.6Vrms	10 ⁹ ohm	2500Vrms	2500 Vrms	Less 1/2AC cycle	Less 1/2AC cycle	Less 473pf	600 g
MS3I2040AA	500 V / μ SEC	1.6Vrms	10 ⁹ ohm	2500Vrms	2500 Vrms	Less 1/2AC cycle	Less 1/2AC cycle	Less 473pf	600 g
MS3I2050AA	500 V / μ SEC	1.6Vrms	10 ⁹ ohm	2500Vrms	2500 Vrms	Less 1/2AC cycle	Less 1/2AC cycle	Less 473pf	600 g
MS3I2075AA	500 V / μ SEC	1.6Vrms	10 ⁹ ohm	2500Vrms	2500 Vrms	Less 1/2AC cycle	Less 1/2AC cycle	Less 473pf	600 g
MS3I20100AA	500 V / μ SEC	1.6Vrms	10 ⁹ ohm	2500Vrms	2500 Vrms	Less 1/2AC cycle	Less 1/2AC cycle	Less 473pf	600 g

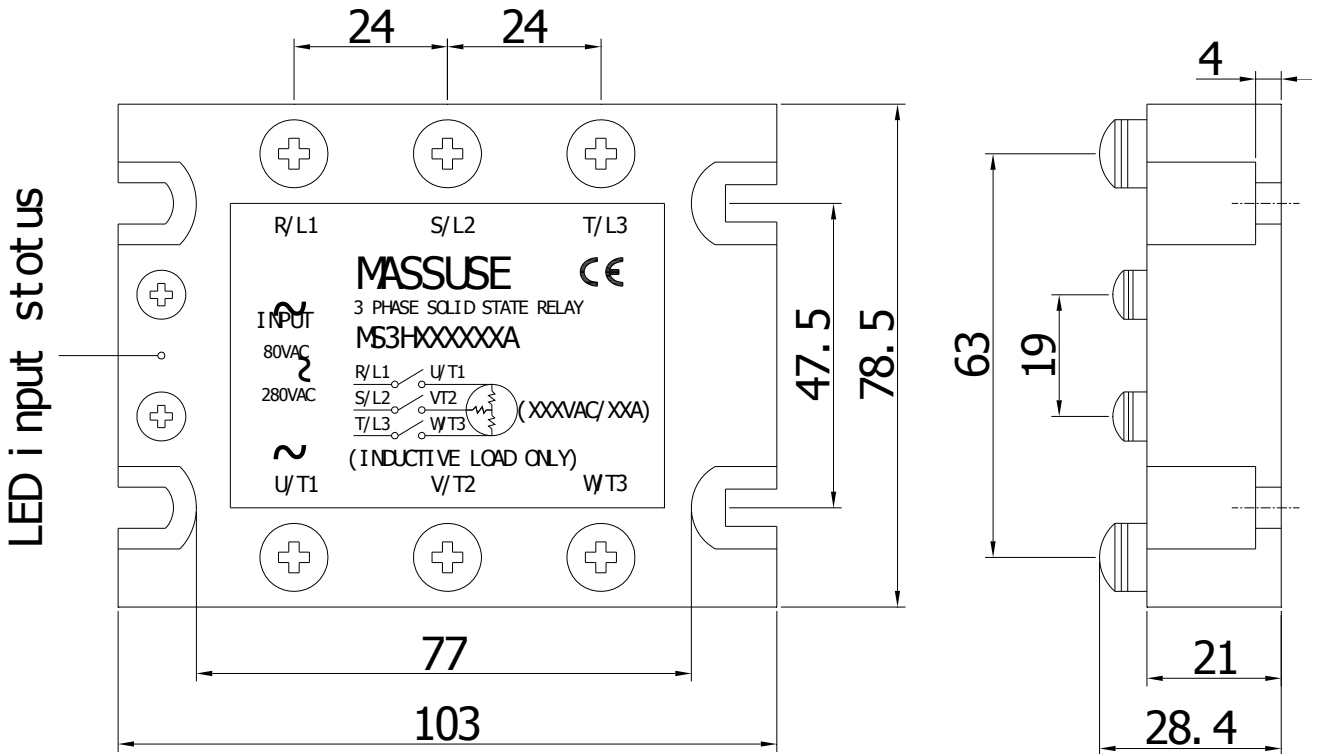
MASSUSE SOLID STATE RELAY

SPECIFICATION

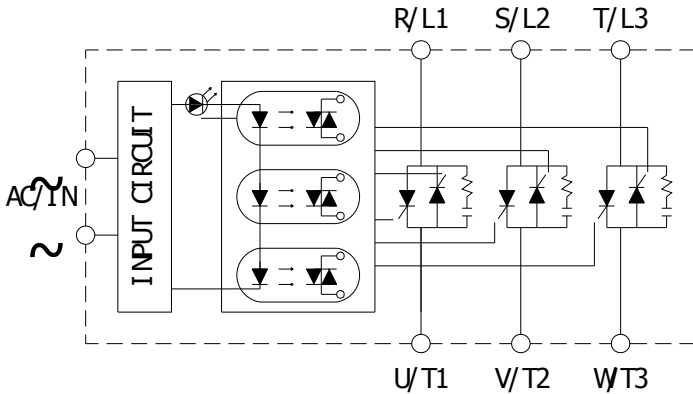
Model No.	Max Off State dv / dt	Max On-State Voltage Drop	Isolate Impedance	Dielectric Strength Input-Output	Dielectric Strength Input, Output - case	Turn On Time	Turn Off Time	Capacitance In-Out	Weight (g)
MS3I4025AA	500 V / μ SEC	1.6Vrms	10 ⁹ ohm	2500Vrms	2500 Vrms	Less 1/2AC cycle	Less 1/2AC cycle	Less 473pf	600 g
MS3I4040AA	500 V / μ SEC	1.6Vrms	10 ⁹ ohm	2500Vrms	2500 Vrms	Less 1/2AC cycle	Less 1/2AC cycle	Less 473pf	600 g
MS3I4050AA	500 V / μ SEC	1.6Vrms	10 ⁹ ohm	2500Vrms	2500 Vrms	Less 1/2AC cycle	Less 1/2AC cycle	Less 473pf	600 g
MS3I4075AA	500 V / μ SEC	1.6Vrms	10 ⁹ ohm	2500Vrms	2500 Vrms	Less 1/2AC cycle	Less 1/2AC cycle	Less 473pf	600 g
MS3I40100AA	500 V / μ SEC	1.6Vrms	10 ⁹ ohm	2500Vrms	2500 Vrms	Less 1/2AC cycle	Less 1/2AC cycle	Less 473pf	600 g

MASSUSE SOLID STATE RELAY

Dimensions(unit: mm)



EQUIVALENT CIRCUIT



Examp l e of 3Φ SSR Appl i cat i on

