

MASSUSE SOLID STATE RELAY

3 Phase Solid State Relay (DC – AC)

MS3H2025DA	MS3H4025DA
MS3H2040DA	MS3H4040DA
MS3H2050DA	MS3H4050DA
MS3H2075DA	MS3H4075DA
MS3H20100DA	MS3H40100DA

SPECIFICATION

Model No.	Control Voltage Range	Must Turn Off Voltage	Input Impedance	Max. Load Current	Load Voltage Range	Min Blocking Voltage	Max Off-State Leakage	Frequency Range	Max 1-Cycle Peak Surge
MS3H2025DA	6 to 32VDC	Max. 3 VDC	1.5Kohm	25A	24 – 280VAC	600VAC	Less 10 mA	47 – 63HZ	315A
MS3H2040DA	6 to 32VDC	Max. 3 VDC	1.5Kohm	40A	24 – 280VAC	600VAC	Less 10 mA	47 – 63HZ	450A
MS3H2050DA	6 to 32VDC	Max. 3 VDC	1.5Kohm	50A	24 – 280VAC	600VAC	Less 10 mA	47 – 63HZ	560A
MS3H2075DA	6 to 32VDC	Max. 3 VDC	1.5Kohm	75A	24 – 280VAC	600VAC	Less 10 mA	47 – 63HZ	750A
MS3H20100DA	6 to 32VDC	Max. 3 VDC	1.5Kohm	100A	24 – 280VAC	600VAC	Less 10 mA	47 – 63HZ	1030A
MS3H4025DA	12 to 32VDC	Max. 9.5 VDC	1.5Kohm	25A	48 – 480VAC	1200VAC	Less 10 mA	47 – 63HZ	315A
MS3H4040DA	12 to 32VDC	Max. 9.5 VDC	1.5Kohm	40A	48 – 480VAC	1200VAC	Less 10 mA	47 – 63HZ	450A
MS3H4050DA	12 to 32VDC	Max. 9.5 VDC	1.5Kohm	50A	48 – 480VAC	1200VAC	Less 10 mA	47 – 63HZ	560A
MS3H4075DA	12 to 32VDC	Max. 9.5 VDC	1.5Kohm	75A	48 – 480VAC	1200VAC	Less 10 mA	47 – 63HZ	750A
MS3H40100DA	12 to 32VDC	Max. 9.5 VDC	1.5Kohm	100A	48 – 480VAC	1200VAC	Less 10 mA	47 – 63HZ	1030A

Model No.	Max Off State dv / dt	Max On-State Voltage Drop	Isolate Impedance	Dielectric Strength Input-Output	Dielectric Strength Input, Output - case	Turn On Time	Turn Off Time	Capacitance In-Out	Weight (g)
MS3H2025DA	250 V / μ SEC	1.6Vrms	10 ⁹ ohm	2500Vrms	2500 Vrms	Less 1/2msec	Less 1/2 cycle	Less 473pf	600 g
MS3H2040DA	250 V / μ SEC	1.6Vrms	10 ⁹ ohm	2500Vrms	2500 Vrms	Less 1/2msec	Less 1/2 cycle	Less 473pf	600 g
MS3H2050DA	250 V / μ SEC	1.6Vrms	10 ⁹ ohm	2500Vrms	2500 Vrms	Less 1/2msec	Less 1/2 cycle	Less 473pf	600 g
MS3H2075DA	250 V / μ SEC	1.6Vrms	10 ⁹ ohm	2500Vrms	2500 Vrms	Less 1/2msec	Less 1/2 cycle	Less 473pf	600 g
MS3H20100DA	250 V / μ SEC	1.6Vrms	10 ⁹ ohm	2500Vrms	2500 Vrms	Less 1/2msec	Less 1/2 cycle	Less 473pf	600 g

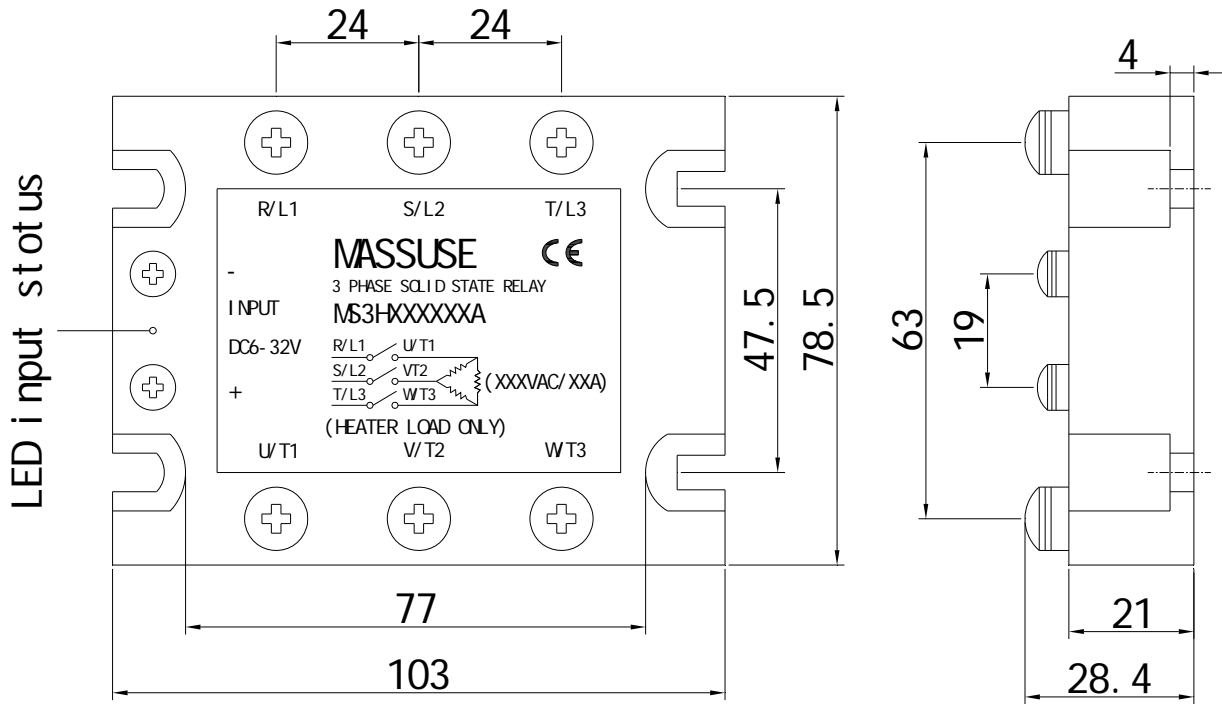
MASSUSE SOLID STATE RELAY

SPECIFICATION

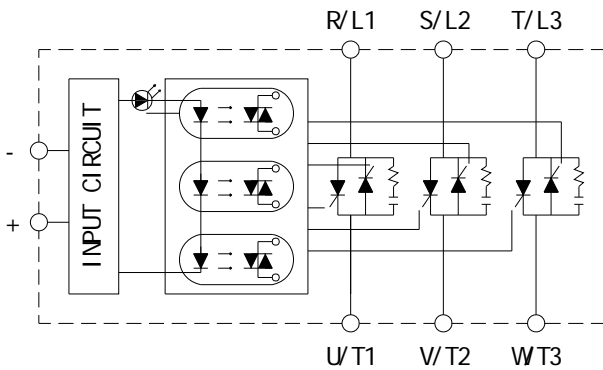
Model No.	Max Off State dv / dt	Max On-State Voltage Drop	Isolate Impedance	Dielectric Strength Input-Output	Dielectric Strength Input, Output - case	Turn On Time	Turn Off Time	Capacitance In-Out	Weight (g)
MS3H4025DA	500 V / μ SEC	1.6Vrms	10 ⁹ ohm	2500Vrms	2500 Vrms	Less 1/2msec	Less 1/2 cycle	Less 473pf	600 g
MS3H4040DA	500 V / μ SEC	1.6Vrms	10 ⁹ ohm	2500Vrms	2500 Vrms	Less 1/2msec	Less 1/2 cycle	Less 473pf	600 g
MS3H4050DA	500 V / μ SEC	1.6Vrms	10 ⁹ ohm	2500Vrms	2500 Vrms	Less 1/2msec	Less 1/2 cycle	Less 473pf	600 g
MS3H4075DA	500 V / μ SEC	1.6Vrms	10 ⁹ ohm	2500Vrms	2500 Vrms	Less 1/2msec	Less 1/2 cycle	Less 473pf	600 g
MS3H40100DA	500 V / μ SEC	1.6Vrms	10 ⁹ ohm	2500Vrms	2500 Vrms	Less 1/2msec	Less 1/2 cycle	Less 473pf	600 g

MASSUSE SOLID STATE RELAY

Dimensions(unit: mm)



EQUIVALENT CIRCUIT



Example of 3Φ SSR Application

