

MASSUSE SOLID STATE RELAY

- ZERO CROSSING TYPE.
- UL and CUL approval, File No.: E179936

DC to AC Solid State Relay

MS2010DA MS2015DA MS2025DA MS2040DA MS2050DA

MS2090DA MS20100DA MS2075DA MS20125DA

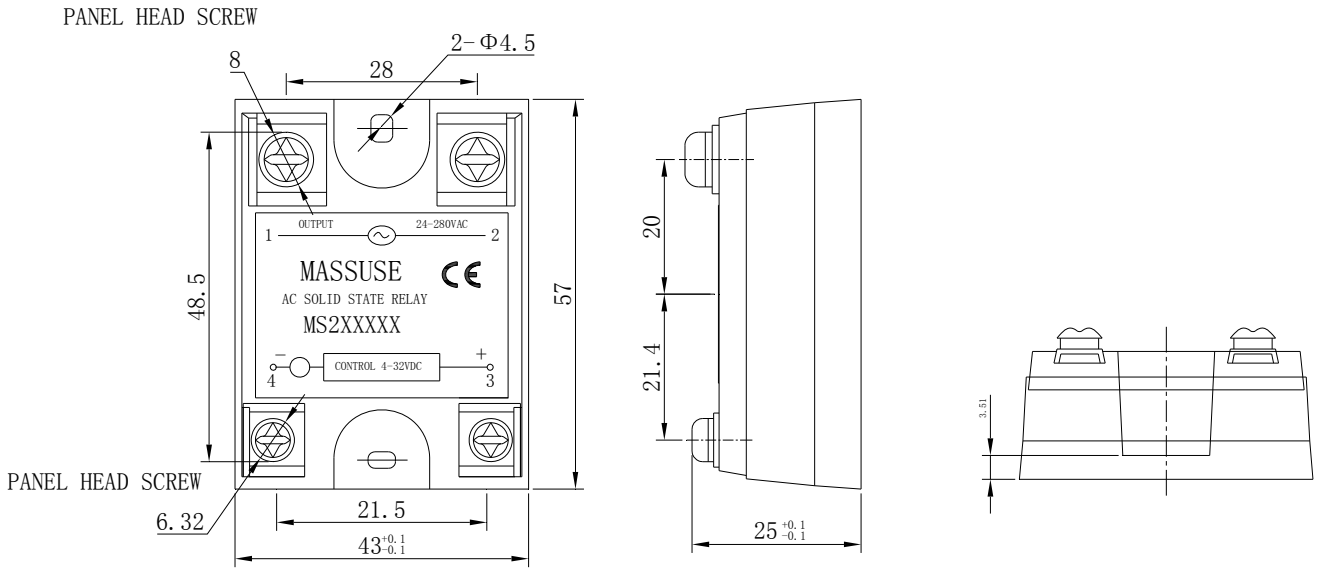
SPECIFICATION

| Model No. | Control Voltage Range | Must Turn Off Voltage | Input Impedance | Max. Load Current | Load Voltage Range | Min Blocking Voltage | Max Off-State Leakage | Frequency Range | Max 1-Cycle Peak Surge |
|-----------|-----------------------|-----------------------|-----------------|-------------------|--------------------|----------------------|-----------------------|-----------------|------------------------|
| MS2010DA | 4 to 32VDC | Max. 1.0VDC | 1.5Kohm | 10A | 24 – 280VAC | 600VAC | Less 7.5mA | 47 – 70HZ | 100A |
| MS2015DA | 4 to 32VDC | Max. 1.0VDC | 1.5Kohm | 15A | 24 – 280VAC | 600VAC | Less 7.5mA | 47 – 70HZ | 160A |
| MS2025DA | 4 to 32VDC | Max. 1.0VDC | 1.5Kohm | 25A | 24 – 280VAC | 600VAC | Less 7.5mA | 47 – 70HZ | 260A |
| MS2040DA | 4 to 32VDC | Max. 1.0VDC | 1.5Kohm | 40A | 24 – 280VAC | 600VAC | Less 7.5mA | 47 – 70HZ | 400A |
| MS2050DA | 4 to 32VDC | Max. 1.0VDC | 1.5Kohm | 50A | 24 – 280VAC | 600VAC | Less 7.5mA | 47 – 70HZ | 625A |
| MS2075DA | 4 to 32VDC | Max. 1.0VDC | 1.5Kohm | 75A | 24 – 280VAC | 600VAC | Less 7.5mA | 47 – 70HZ | 1000A |
| MS2090DA | 4 to 32VDC | Max. 1.0VDC | 1.5Kohm | 90A | 24 – 280VAC | 600VAC | Less 7.5mA | 47 – 70HZ | 1100A |
| MS20100DA | 4 to 32VDC | Max. 1.0VDC | 1.5Kohm | 100A | 24 – 280VAC | 600VAC | Less 7.5mA | 47 – 70HZ | 1200A |
| MS20125DA | 4 to 32VDC | Max. 1.0VDC | 1.5Kohm | 125A | 24 – 280VAC | 600VAC | Less 7.5mA | 47 – 70HZ | 1250A |

| Model No. | Max Off State dv / dt | Max On-State Voltage Drop | Isolate Impedance | Dielectric Strength Input-Output | Dielectric Strength Input, Output - case | Turn On Time | Turn Off Time | Capacitance In-Out | Weight (g) |
|-----------|-----------------------|---------------------------|-------------------|----------------------------------|--|--------------|------------------|--------------------|------------|
| MS2010DA | 200 V / μ SEC | 2.0VAC | 10 Ω ohm | 4000VACrms | 2500 VAC (rms) | Less 2msec | Less 1/2AC cycle | Less 15 pf | 95 g |
| MS2015DA | 200 V / μ SEC | 2.0VAC | 10 Ω ohm | 4000VACrms | 2500 VAC (rms) | Less 2msec | Less 1/2AC cycle | Less 15 pf | 95 g |
| MS2025DA | 200 V / μ SEC | 2.0VAC | 10 Ω ohm | 4000VACrms | 2500 VAC (rms) | Less 2msec | Less 1/2AC cycle | Less 15 pf | 100 g |
| MS2040DA | 200 V / μ SEC | 2.0VAC | 10 Ω ohm | 4000VACrms | 2500 VAC (rms) | Less 2msec | Less 1/2AC cycle | Less 15 pf | 100 g |
| MS2050DA | 200 V / μ SEC | 2.0VAC | 10 Ω ohm | 4000VACrms | 2500 VAC (rms) | Less 2msec | Less 1/2AC cycle | Less 15 pf | 100 g |
| MS2075DA | 200 V / μ SEC | 2.0VAC | 10 Ω ohm | 4000VACrms | 2500 VAC (rms) | Less 2msec | Less 1/2AC cycle | Less 15 pf | 100 g |
| MS2090DA | 200 V / μ SEC | 2.0VAC | 10 Ω ohm | 4000VACrms | 2500 VAC (rms) | Less 2msec | Less 1/2AC cycle | Less 15 pf | 100 g |
| MS20100DA | 200 V / μ SEC | 2.0VAC | 10 Ω ohm | 4000VACrms | 2500 VAC (rms) | Less 2msec | Less 1/2AC cycle | Less 15 pf | 100 g |
| MS20125DA | 200 V / μ SEC | 2.0VAC | 10 Ω ohm | 4000VACrms | 2500 VAC (rms) | Less 2msec | Less 1/2AC cycle | Less 15 pf | 120 g |

MASSUSE SOLID STATE RELAY

Dimensions(unit: mm)



EQUIVALENT CIRCUIT

