

MASSUSE SOLID STATE RELAY

AC to AC Solid State Relay

MS2010AA MS2050AA MS20125AA

MS2015AA MS2075AA

MS2025AA MS2090AA

MS2040AA MS20100AA

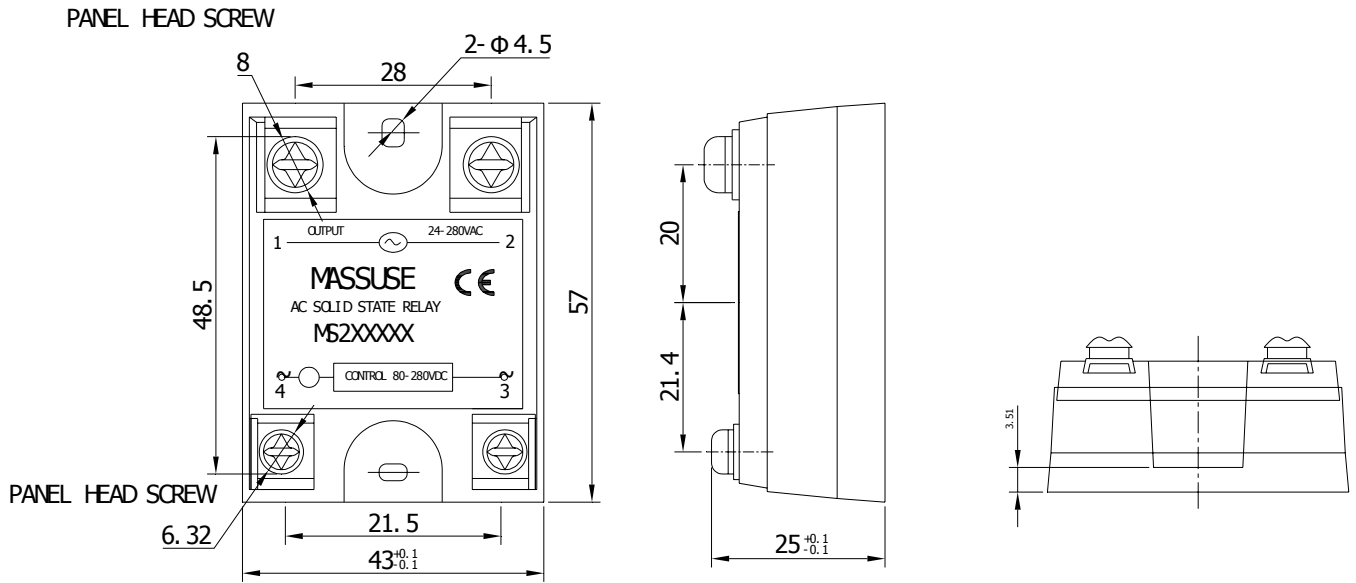
SPECIFICATION

Model No.	Control Voltage Range	Must Turn Off Voltage	Input Impedance	Max. Load Current	Load Voltage Range	Min Blocking Voltage	Max Off-State Leakage	Frequency Range	Max 1-Cycle Peak Surge
MS2010AA	80 to 280VAC	Max. 10 VAC	1.5Kohm	10A	24 – 280VAC	600VAC	Less 5mA	47 – 70HZ	100A
MS2015AA	80 to 280VAC	Max. 10 VAC	1.5Kohm	15A	24 – 280VAC	600VAC	Less 5mA	47 – 70HZ	160A
MS2025AA	80 to 280VAC	Max. 10 VAC	1.5Kohm	25A	24 – 280VAC	600VAC	Less 5mA	47 – 70HZ	260A
MS2040AA	80 to 280VAC	Max. 10 VAC	1.5Kohm	40A	24 – 280VAC	600VAC	Less 5mA	47 – 70HZ	400A
MS2050AA	80 to 280VAC	Max. 10 VAC	1.5Kohm	50A	24 – 280VAC	600VAC	Less 7.5mA	47 – 70HZ	625A
MS2075AA	80 to 280VAC	Max. 10 VAC	1.5Kohm	75A	24 – 280VAC	600VAC	Less 7.5mA	47 – 70HZ	1000A
MS2090AA	80 to 280VAC	Max. 10 VAC	1.5Kohm	90A	24 – 280VAC	600VAC	Less 7.5mA	47 – 70HZ	1100A
MS20100AA	80 to 280VAC	Max. 10 VAC	1.5Kohm	100A	24 – 280VAC	600VAC	Less 7.5mA	47 – 70HZ	1200A
MS20125AA	80 to 280VAC	Max. 10 VAC	1.5Kohm	125A	24 – 280VAC	600VAC	Less 7.5mA	47 – 70HZ	1250A

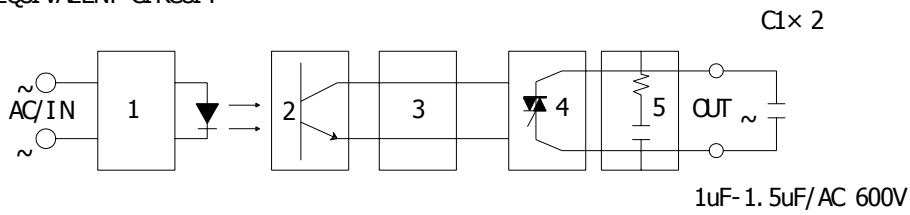
Model No.	Max Off State dv / dt	Max On-State Voltage Drop	Isolate Impedance	Dielectric Strength Input-Output	Dielectric Strength Input, Output - case	Turn On Time	Turn Off Time	Capacitance In-Out	Weight (g)
MS2010AA	200 V / μ SEC	2.0VACrms	10 Ω ohm	4000VACrms	2500 VACrms	Less 2msec	Less 1/2AC cycle	Less 15 pf	92g
MS2015AA	200 V / μ SEC	2.0VACrms	10 Ω ohm	4000VACrms	2500 VACrms	Less 2msec	Less 1/2AC cycle	Less 15 pf	92g
MS2025AA	200 V / μ SEC	2.0VACrms	10 Ω ohm	4000VACrms	2500 VACrms	Less 2msec	Less 1/2AC cycle	Less 15 pf	95g
MS2040AA	200 V / μ SEC	2.0VACrms	10 Ω ohm	4000VACrms	2500 VACrms	Less 2msec	Less 1/2AC cycle	Less 15 pf	95g
MS2050AA	200 V / μ SEC	2.0VACrms	10 Ω ohm	4000VACrms	2500 VACrms	Less 2msec	Less 1/2AC cycle	Less 15 pf	100 g
MS2075AA	200 V / μ SEC	2.0VACrms	10 Ω ohm	4000VACrms	2500 VACrms	Less 2msec	Less 1/2AC cycle	Less 15 pf	100 g
MS2090AA	200 V / μ SEC	2.0VACrms	10 Ω ohm	4000VACrms	2500 VACrms	Less 2msec	Less 1/2AC cycle	Less 15 pf	100 g
MS20100AA	200 V / μ SEC	2.0VACrms	10 Ω ohm	4000VACrms	2500 VACrms	Less 2msec	Less 1/2AC cycle	Less 15 pf	100 g
MS20125AA	200 V / μ SEC	2.0VACrms	10 Ω ohm	4000VACrms	2500 VACrms	Less 2msec	Less 1/2AC cycle	Less 15 pf	120 g

MASSUSE SOLID STATE RELAY

Dimensions(unit: mm)



EQUIVALENT CIRCUIT



1. INPUT CIRCUIT
2. PHOTO DETECTOR
3. ZERO-CROSS CIRCUIT
4. OUTPUT CIRCUIT
5. PROTECTED CIRCUIT