

# MASSUSE SOLID STATE RELAY

## AC to AC Solid State Relay

MS2002AA

MS2004AA

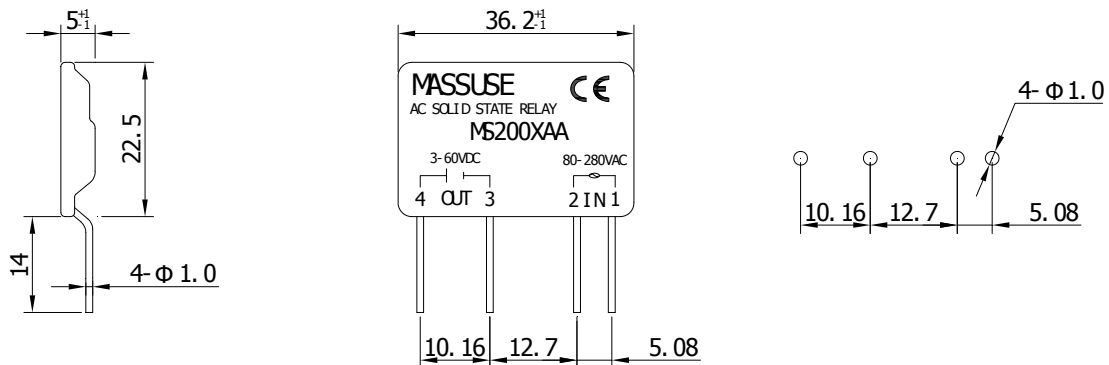
MS2006AA

### SPECIFICATION

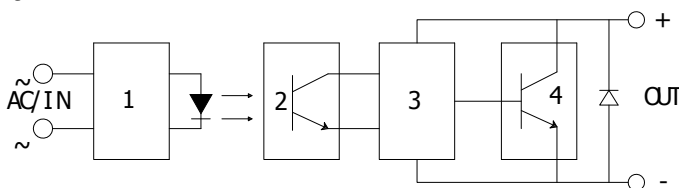
Model No.	Control Voltage Range	Must Turn Off Voltage	Input Impedance	Max. Load Current	Load Voltage Range	Min Blocking Voltage	Max Off-State Leakage	Frequency Range	Max 1-Cycle Peak Surge
MS2002AA	80 to 280VAC	Max. 1.0VDC	1.5Kohm	2A	24 – 280VAC	600VAC	Less 5mA	47 – 70HZ	30A
MS2004AA	80 to 280VAC	Max. 1.0VDC	1.5Kohm	4A	24 – 280VAC	600VAC	Less 5mA	47 – 70HZ	50A
MS2006AA	80 to 280VAC	Max. 1.0VDC	1.5Kohm	6A	24 – 280VAC	600VAC	Less 5mA	47 – 70HZ	60A

Model No.	Max Off State dv / dt	Max On-State Voltage Drop	Isolate Impedance	Dielectric Strength Input-Output	Dielectric Strength Input, Output - case	Turn On Time	Turn Off Time	Capacitance In-Out	Weight (g)
MS2002AA	100 V / $\mu$ SEC	1.5VAC	10 <sup>9</sup> ohm	4000VACrms	-	Less 2msec	Less 1/2 cycle	Less 15 pf	10 g
MS2004AA	100 V / $\mu$ SEC	2VAC	10 <sup>9</sup> ohm	4000VACrms	-	Less 2msec	Less 1/2 cycle	Less 15 pf	12 g
MS2006AA	200 V / $\mu$ SEC	2VAC	10 <sup>9</sup> ohm	4000VACrms	-	Less 2msec	Less 1/2 cycle	Less 15 pf	12 g

### Dimensions(unit: mm)



### EQUIVALENT CIRCUIT



1. INPUT CIRCUIT
2. PHOTO DETECTOR
3. AMPLIFIER
4. PROTECTED CIRCUIT