

FEATURES

- Dielectric strength 2500Vrms
- Blocking voltage 600V
- Zero cross or random turn-on
- Photo isolation
- Led status indicator
- Built-in snubber

DESCRIPTION

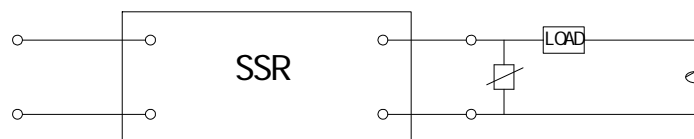
This SPST-NO printed circuit board mount SSR provides AC output switching in a high density package. The MS2's DC input is compatible with 5, 12 and 24V logic systems. The relays include a LED indicator to provide input status information. All models include an internal snubber. The relays provide 2500Vrms opto-isolation, between input and output. Encapsulation, thermally conductive epoxy.

APPLICATIONS

- I/O interface
- Programmable controllers

PRECAUTIONS

1. Soldering must be completed within 10 seconds at 260°C or less or within 5 seconds at 350°C or less.
2. The SSR case serves to dissipate heat. Install the relays so that they are adequately ventilated. If poor ventilation is unavoidable, reduce the load current by half.
3. When using the MS2 series for an AC load with a peak voltage of more than 450V, connect the load terminals of the relay to an inrush absorber (varistor). The recommended varistor voltage, 440 to 470V.



INPUT (TA=25°C)

Control voltage range	05D	4 to 6VDC
	12D	9.6 to 14.4VDC
	24D	19.2 to 28.8VDC
Must operate voltage	05D	4VDC max.
	12D	9.6VDC max.
	24D	19.2VDC max.
Must release voltage	1.0VDC	
Max. reverse protection voltage	05D	-6VDC
	12D	-14.4VDC
	24D	-28.8VDC
Typical Input current	12mA	

GENERAL

Insulation resistance	1000MΩ min., (at 500VDC)
Dielectric strength (input to output)	2500VAC min, 50/60Hz 1min.
Max. capacitance (input to output)	8pF
Ambient Humidity	45 to 85%
Vibration resistance	10 to 55Hz 5g
Shock resistance	1000m/s ²
Ambient temperature	Operating: - 30°C to +80°C Storage: - 30°C to +100°C

OUTPUT

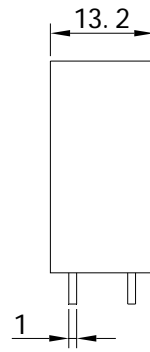
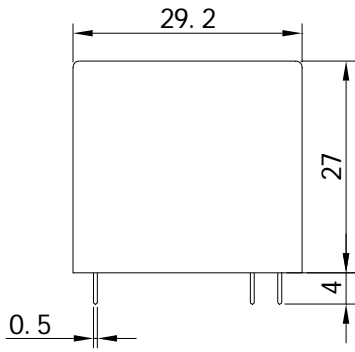
Load voltage range	48 to 400VAC
Load current range	0.1 to 3Amp
Max. surge current (10ms)	30Apk
Max. leakage current	5mA max.
Max. on-state voltage drop	1.5VDC max.
Max. turn-on time: Zero cross turn-on Random turn-on	10ms max.
	1ms max.
Max. turn-off time	10ms max.
Transient overvoltage: 220V 380V	600Vpk max.
	800Vpk max.
Min. off-state dv/dt	100V/μs min.
Min. power factor	0.5

ORDERING INFORMATION

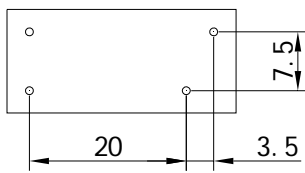
MS2 - 12 - 380 A 3 Z L

Model No.	Input Voltage	Load Voltage	Load Voltage Form	Load Current	Zero Cross Function	Led Indicator
MS2	05: 4 to 6VDC	220: 220V	A: AC	2: 2 Amp	Z: Zero cross turn-on	L: With led
	12: 9.6 to 14.4VDC	380: 380V		3: 3 Amp	1: Non-zero cross turn-on	Nil: Without led
	24: 19.2 to 28.8VDC					

Dimensions(unit: mm)



PCB Layout



Schematic

