

# MASSUSE SOLID STATE RELAY

## Solid State Relay

MR2010RA      MR2040RA

MR2015RA      MR4025RA

MR2025RA      MR4040RA

## SPECIFICATION

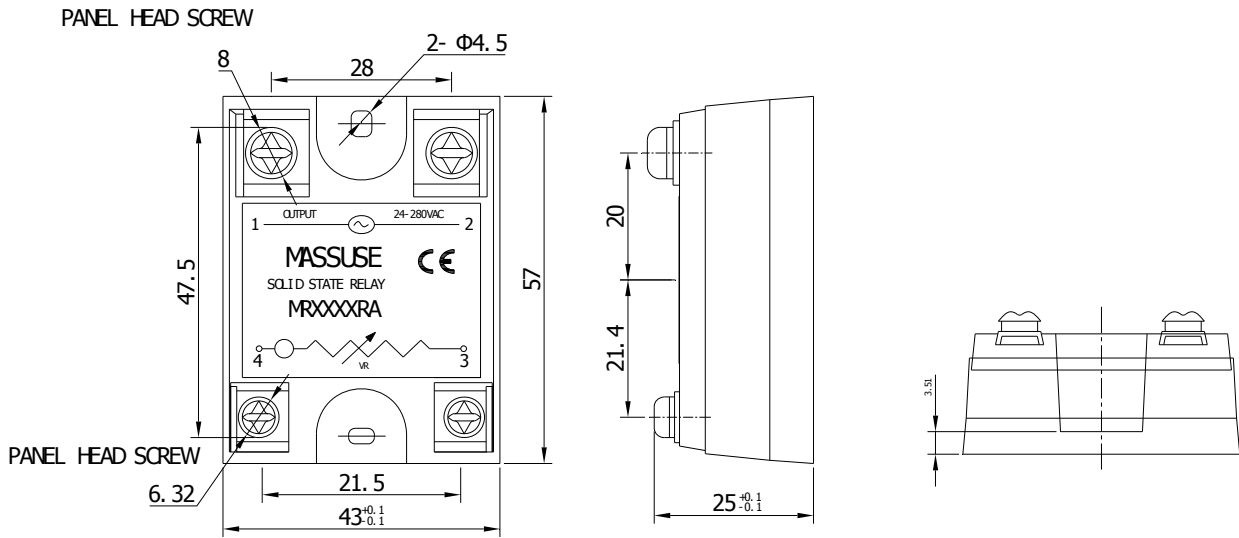
Model No.	Control Impedance	Must Turn Off Voltage	Input Impedance	Max. Load Current	Load Voltage Range	Min Blocking Voltage	Max Off-State Leakage	Frequency Range	Max. 1-Cycle Peak Surge
MR2010RA	VR0 – 500KΩ	Max. 10VAC	1.5Kohm	10A	24–280VAC	600VAC	Less 5mA	47 – 70HZ	100A
MR2015RA	VR0 – 500KΩ	Max. 10VAC	1.5Kohm	15A	24–280VAC	600VAC	Less 5mA	47 – 70HZ	160A
MR2025RA	VR0 – 500KΩ	Max. 10VAC	1.5Kohm	25A	24–280VAC	600VAC	Less 5mA	47 – 70HZ	260A
MR2040RA	VR0 – 500KΩ	Max. 10VAC	1.5Kohm	40A	24-280VAC	600VAC	Less 5mA	47 – 70HZ	400A
MR4025RA	VR0 - 1MKΩ	Max. 10VAC	1.5Kohm	25A	48-480VAC	1200VAC	15mA	47 – 70HZ	260A
MR4040RA	VR0 - 1MKΩ	Max. 10VAC	1.5Kohm	40A	48-480VAC	1200VAC	15mA	47 – 70HZ	400A

Model No.	Max Off State dv / dt	Max On-State Voltage Drop	Isolate Impedance	Dielectric Strength Input-Output	Dielectric Strength Input, Output - case	Turn On Time	Turn Off Time	Capacitance In-Out	Weight (g)
MR2010RA	200 V / μSEC	2.0VACrms	10 <sup>9</sup> ohm	4000VACrms	2500 VAC (rms)	Less 2msec	Less 1/2AC cycle	Less 15 pf	92 g
MR2015RA	200 V / μSEC	2.0VACrms	10 <sup>9</sup> ohm	4000VACrms	2500 VAC (rms)	Less 2msec	Less 1/2AC cycle	Less 15 pf	92 g
MR2045RA	200 V / μSEC	2.0VACrms	10 <sup>9</sup> ohm	4000VACrms	2500 VAC (rms)	Less 2msec	Less 1/2AC cycle	Less 15 pf	95 g
MR2040RA	200 V / μSEC	2.0VACrms	10 <sup>9</sup> ohm	4000VACrms	2500 VAC (rms)	Less 2msec	Less 1/2AC cycle	Less 15 pf	95 g
MR4025RA	200 V / μSEC	2.0VACrms	10 <sup>9</sup> ohm	4000VACrms	2500 VAC (rms)	Less 2msec	Less 1/2AC cycle	Less 15 pf	95 g
MR4040RA	200 V / μSEC	2.0VACrms	10 <sup>9</sup> ohm	4000VACrms	2500 VAC (rms)	Less 2msec	Less 1/2AC cycle	Less 15 pf	95 g

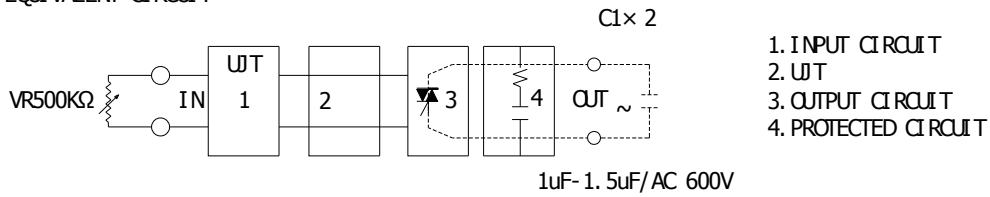
# MASSUSE SOLID STATE RELAY

Dimensions(unit: mm)

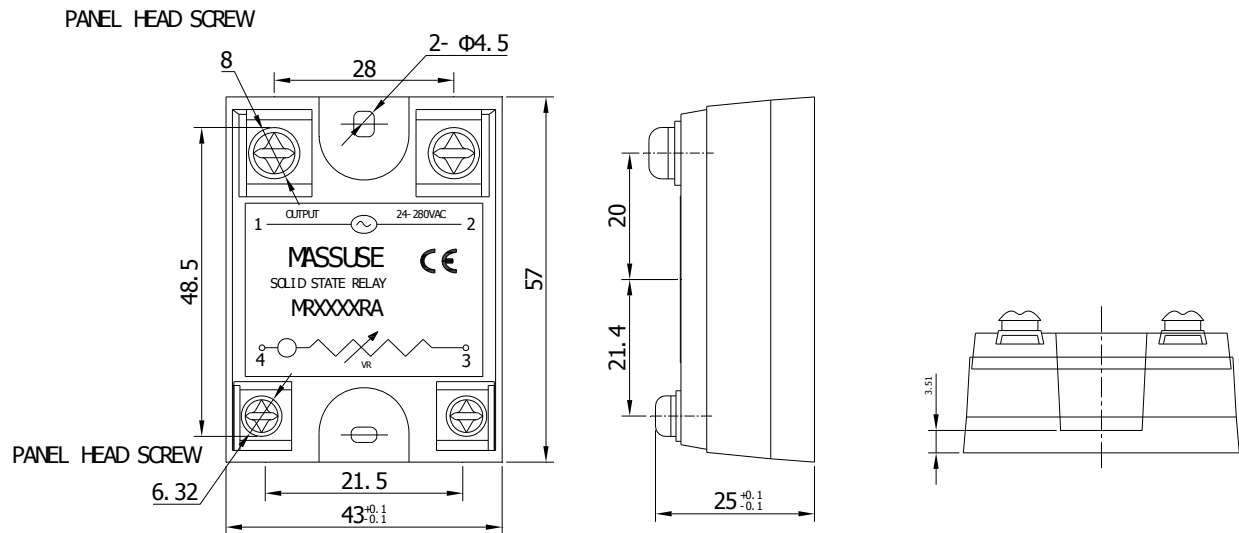
## MR20XXXX



### EQUIVALENT CIRCUIT



## MR40XXXX



### EQUIVALENT CIRCUIT

