

# MASSUSE SOLID STATE RELAY

## FEATURE

- Output Voltage Up To 300VDC&600VDC

## DC to DC Solid State Relay

MG1005DD	MG2010DD	MG2075DD	MG3040DD	MG6010DD	MG6075DD
MG1010DD	MG2025DD	MG3005DD	MG3050DD	MG6025DD	
MG1025DD	MG2040DD	MG3010DD	MG3075DD	MG6040DD	
MG1040DD	MG2050DD	MG3025DD	MG6005DD	MG6050DD	

## SPECIFICATION

Model No.	Control Voltage Range	Must Turn Off Voltage	Input Impedance	Max. Load Current	Load Voltage Range	Min Blocking Voltage	Max Off-State Leakage	Frequency Range	Max 1-Cycle Peak Surge
MG1005DD	3 to 32VDC	Max. 1.0VDC	1.5Kohm	5A	5 - 120VDC	140VDC	Less 3mA	47 - 70Hz	6A
MG1010DD	3 to 32VDC	Max. 1.0VDC	1.5Kohm	10A	5 - 120VDC	140VDC	Less 5mA	47 - 70Hz	15A
MG1025DD	3 to 32VDC	Max. 1.0VDC	1.5Kohm	25A	5 - 120VDC	140VDC	Less 7mA	47 - 70Hz	35A
MG1040DD	3 to 32VDC	Max. 1.0VDC	1.5Kohm	40A	5 - 120VDC	140VDC	Less 7mA	47 - 70Hz	50A
MG2010DD	3 to 32VDC	Max. 1.0VDC	1.5Kohm	10A	5 - 220VDC	240VDC	Less 7mA	47 - 70HZ	15A
MG2025DD	3 to 32VDC	Max. 1.0VDC	1.5Kohm	25A	5 - 220VDC	240VDC	Less 7mA	47 - 70HZ	35A
MG2040DD	3 to 32VDC	Max. 1.0VDC	1.5Kohm	40A	5 - 220VDC	240VDC	Less 7mA	47 - 70HZ	50A
MG2050DD	3 to 32VDC	Max. 1.0VDC	1.5Kohm	50A	5 - 220VDC	240VDC	Less 7mA	47 - 70HZ	60A
MG2075DD	3 to 32VDC	Max. 1.0VDC	1.5Kohm	75A	5 - 220VDC	240VDC	Less 7mA	47 - 70HZ	85A
MG3005DD	3 to 32VDC	Max. 1.0VDC	1.5Kohm	5A	5 - 300VDC	330VDC	Less 7mA	47 - 70HZ	6A
MG3010DD	3 to 32VDC	Max. 1.0VDC	1.5Kohm	10A	5 - 300VDC	330VDC	Less 7mA	47 - 70HZ	15A
MG3025DD	3 to 32VDC	Max. 1.0VDC	1.5Kohm	25A	5 - 300VDC	330VDC	Less 7mA	47 - 70HZ	35A
MG3040DD	3 to 32VDC	Max. 1.0VDC	1.5Kohm	40A	5 - 300VDC	330VDC	Less 7mA	47 - 70HZ	50A
MG3050DD	3 to 32VDC	Max. 1.0VDC	1.5Kohm	50A	5 - 300VDC	330VDC	Less 7mA	47 - 70HZ	60A
MG3075DD	3 to 32VDC	Max. 1.0VDC	1.5Kohm	75A	5 - 300VDC	330VDC	Less 7mA	47 - 70HZ	85A
MG6005DD	3 to 32VDC	Max. 1.0VDC	1.5Kohm	5A	5 - 600VDC	660VDC	Less 7mA	47 - 70HZ	6A
MG6010DD	3 to 32VDC	Max. 1.0VDC	1.5Kohm	10A	5 - 600VDC	660VDC	Less 7mA	47 - 70HZ	15A
MG6025DD	3 to 32VDC	Max. 1.0VDC	1.5Kohm	25A	5 - 600VDC	660VDC	Less 7mA	47 - 70HZ	35A
MG6040DD	3 to 32VDC	Max. 1.0VDC	1.5Kohm	40A	5 - 600VDC	660VDC	Less 7mA	47 - 70HZ	50A
MG6050DD	3 to 32VDC	Max. 1.0VDC	1.5Kohm	50A	5 - 600VDC	660VDC	Less 7mA	47 - 70HZ	60A
MG6075DD	3 to 32VDC	Max. 1.0VDC	1.5Kohm	75A	5 - 600VDC	660VDC	Less 7mA	47 - 70HZ	85A

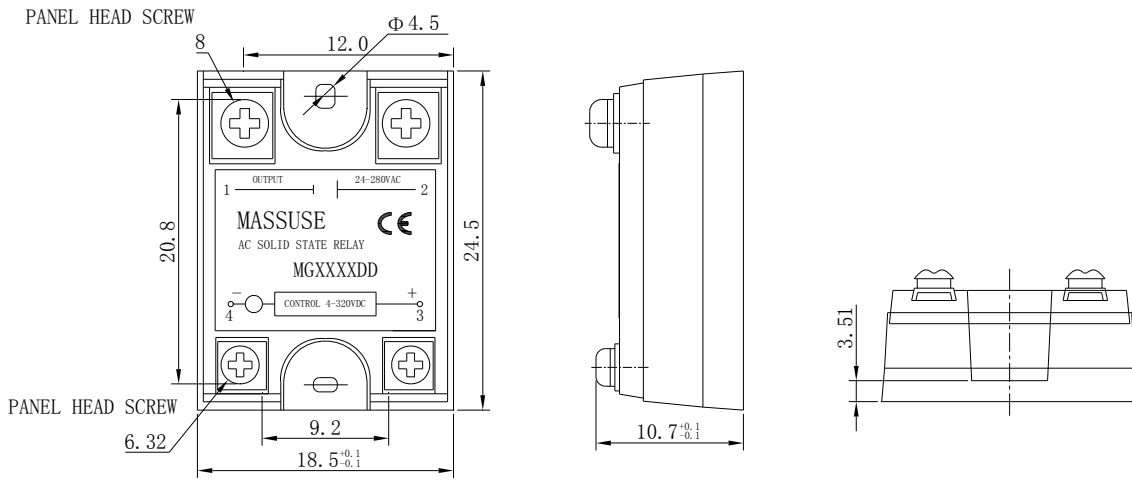
# MASSUSE SOLID STATE RELAY

Model No.	Max Off State dv / dt	Max On-State Voltage Drop	Isolate Impedance	Dielectric Strength Input-Output	Dielectric Strength Input, Output - case	Turn On Time	Turn Off Time	Capacitance In-Out	Weight (g)
MG1005DD	200 V / $\mu$ SEC	2.0Vrms	10 <sup>9</sup> ohm	4000VACrms	2500 VACrms	Less 2msec	2msec	Less 15 pf	95 g
MG1010DD	200 V / $\mu$ SEC	2.0Vrms	10 <sup>9</sup> ohm	4000VACrms	2500 VACrms	Less 2msec	2msec	Less 15 pf	95 g
MG1025DD MG1040DD MG2010DD MG2025DD MG2040DD MG2050DD MG2075DD	200 V / $\mu$ SEC	2.0Vrms	10 <sup>9</sup> ohm	4000VACrms	2500 VACrms	Less 2msec	2msec	Less 15 pf	100 g
MG3005DD MG3010DD MG3025DD MG3040DD MG3050DD MG3075DD	200 V / $\mu$ SEC	2.0Vrms	10 <sup>9</sup> ohm	4000VACrms	2500 VACrms	Less 2msec	2msec	Less 15 pf	100 g
MG6005DD MG6010DD MG6025DD MG6040DD MG6050DD MG6005DD	200 V / $\mu$ SEC	2.0Vrms	10 <sup>9</sup> ohm	4000VACrms	2500 VACrms	Less 2msec	2msec	Less 15 pf	100 g

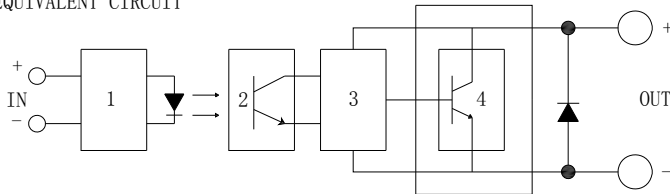
# MASSUSE SOLID STATE RELAY

MG series

Dimensions(unit: mm)



EQUIVALENT CIRCUIT



1. INPUT CIRCUIT
2. PHOTO DETECTOR
3. AMPLIFIER
4. PROTECTED CIRCUIT