

MASSUSE SOLID STATE RELAY

DC to DC And AC to DC Solid State Relay

MF0602DD MF0602AD

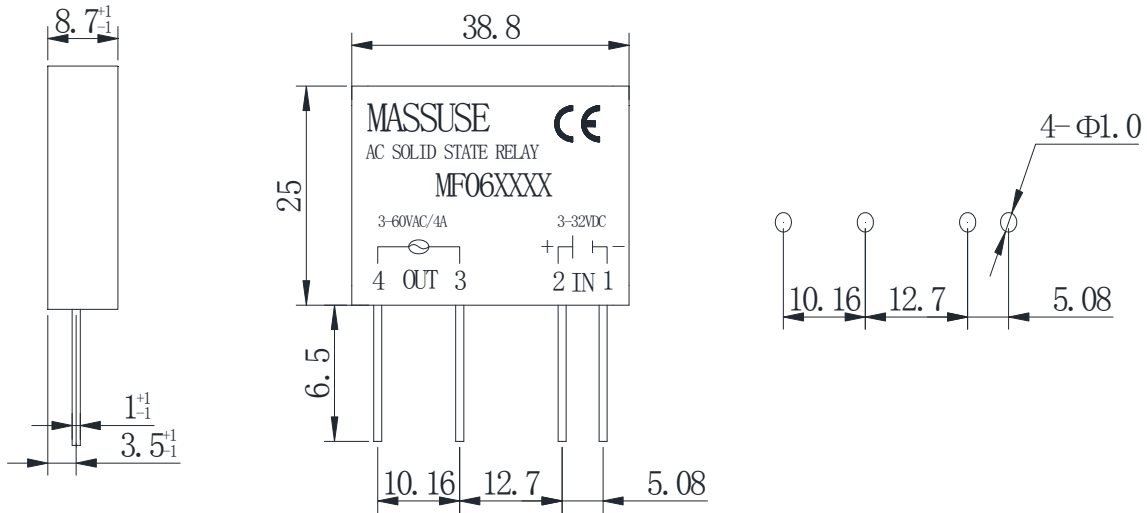
MF0604DD MF0604AD

SPECIFICATION

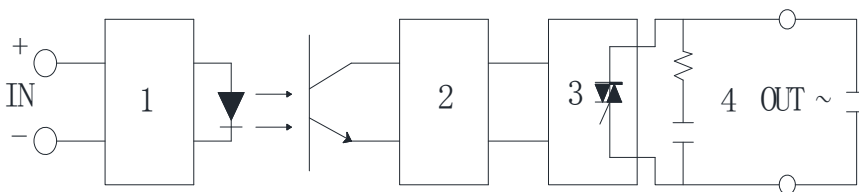
Model No.	Control Voltage Range	Must Turn Off Voltage	Input Impedance	Max. Load Current	Load Voltage Range	Min Blocking Voltage	Max Off-State Leakage	Frequency Range	Max 1-Cycle Peak Surge
MF0602DD	3 to 32VDC	Max. 1.0VDC	1.5Kohm	2A	3 – 60VDC	80VDC	Less 1mA	47 – 70HZ	3A
MF0604DD	3 to 32VDC	Max. 1.0VDC	1.5Kohm	4A	3 – 60VDC	80VDC	Less 1mA	47 – 70HZ	8.5A
MF0602AD	80 to 280VAC	Max. 10VAC	1.5Kohm	2A	3 – 60VDC	80VDC	Less 1mA	47 – 70HZ	3A
MF0604AD	80 to 280VAC	Max. 10VAC	1.5Kohm	4A	3 – 60VDC	80VDC	Less 1mA	47 – 70HZ	8.5A

Model No.	Max Off State dv / dt	Max On-State Voltage Drop	Isolate Impedance	Dielectric Strength Input-Output	Turn On Time	Turn Off Time	Capacitance In-Out	Weight (g)
MF0602DD	200 V / μ SEC	1.2Vrms	10^9 ohm	2500Vrms	Less 2msec	Less 1/2 cycle	Less 15 pf	10 g
MF0604DD	200 V / μ SEC	1.2Vrms	10^9 ohm	2500Vrms	Less 2msec	Less 1/2 cycle	Less 15 pf	12 g
MF0602AD	200 V / μ SEC	1.2Vrms	10^9 ohm	2500Vrms	Less 2msec	Less 1/2 sec	Less 15 pf	10 g
MF0604AD	200 V / μ SEC	1.2Vrms	10^9 ohm	2500Vrms	Less 2msec	Less 1/2 sec	Less 15 pf	12 g

Dimensions(unit: mm)



EQUIVALENT CIRCUIT



1. INPUT CIRCUIT
2. ZERO-CROSS CIRCUIT
3. OUTPUT CIRCUIT
4. PROTECTED CIRCUIT