

FEATURES

- Contact load capacity up to 80A
- 1A, 1C and 1U contact arrangements
- Plug-in or PCB terminals
- Optional mounting bracket

CONTACT DATA

Contact form	1A, 1C, 1U
Contact resistance	50mΩ
Contact rating	1A: 80A/14VDC 1C(NO): 80A/14VDC (NC): 60A/14VDC 1U: 2x25A/14VDC
Max. switching current	80A(NO), 60A(NC)
Max. carrying current	80A(NO), 60A(NC)
Max. switching voltage	75VDC
Max. switching power	980W
Contact material	Silver Alloy

CHARACTERISTICS

Insulation resistance	100MΩ at 500VDC
Dielectric strength	500VAC, 1min. between coil and contacts 500VAC, 1 min. between open contacts
Operate time	7 ms
Release time	5 ms
Vibration resistance	10 – 40Hz, 1.5mm
Shock resistance	Functional:140m/s ² ;Destructive:200m/s ²
Humidity	40°C, 98%
Temperature rise	Max. 75°C (at 20°C)
Ambient temperature	- 40°C to + 85°C
Life expectancy	
- Electrical	1 x 10 ⁵ operations
- Mechanical	1 x 10 ⁷ operations

COIL SPECIFICATIONS

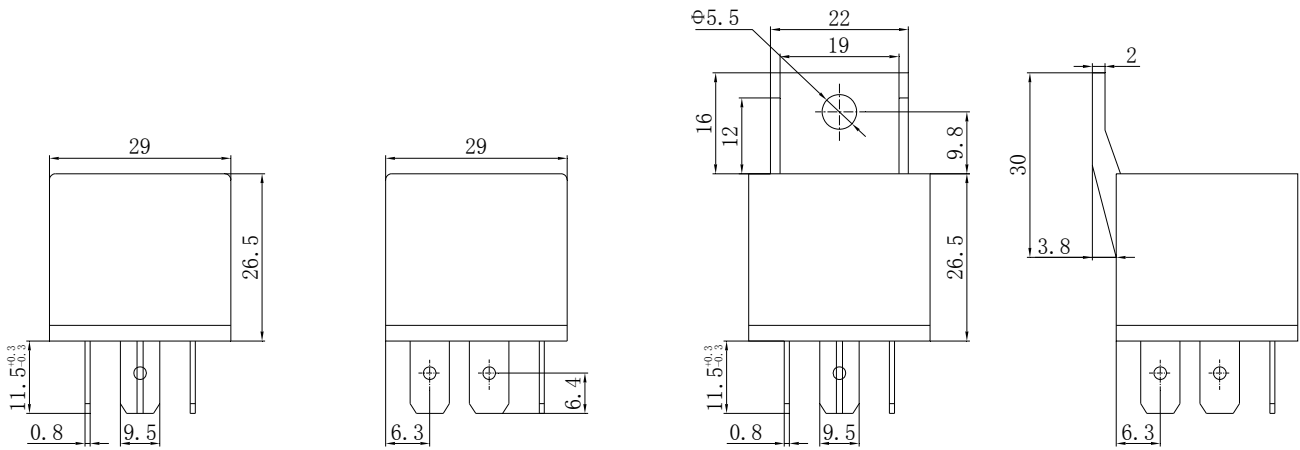
Nominal voltage (VDC)	Pick-up voltage (VDC)	Drop-out voltage (VDC)	Allowable overdrive (VDC)	Coil resistance (Ω±10%)	Power consumption(W)
6	3.9	0.6	7.8	20	1.8
12	7.8	1.2	15.6	80	1.8
24	15.6	2.4	31.2	320	1.8

ORDERING INFORMATION

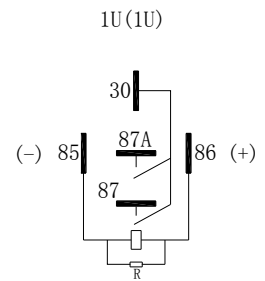
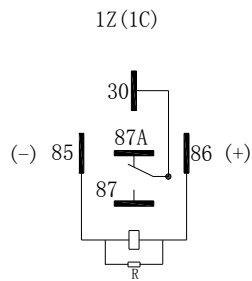
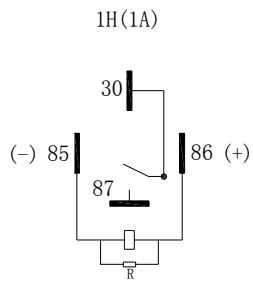
MEV4 - 012 - 1H 1 P D

Model No.	Coil Voltage	Contact Form	Version	Contact Rating	Diode
MEV4	6VDC – 24VDC	1H: 1A 1Z: 1C 1U: 1U	1: QC Terminal 2: PC Terminal 3: Plastic shrouded +PC Terminal 4: Plastic shrouded +QC Terminal 5: Metal shrouded +PC Terminal 6: Metal shrouded +QC Terminal	P: 80A/60A	Nil: Standard D : Diode inside R: Resistor

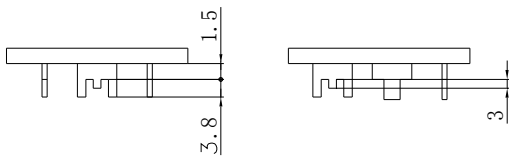
Dimensions(unit:mm)



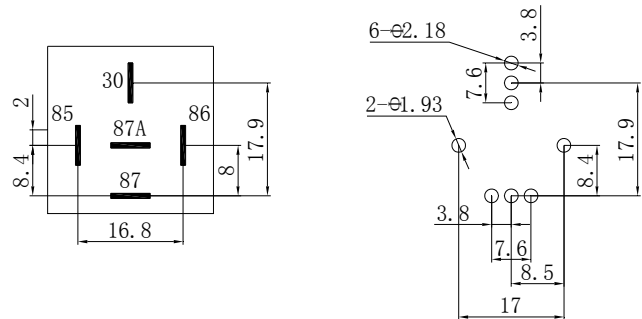
Wiring Diagrams



PCB TERMINAL



BOTTOM VIEW



Disclaimer: All the specifications are subject to change without notice.