

## FEATURES

- Hermetically sealed
- Low power consumption
- High reliability
- UL & CUL approval, File No.: E179936

## CONTACT DATA

Contact form	1A – NO 1B – NC
Contact resistance (Initial)	150mΩ
Rated carry current	1A
Max. switching voltage	200VDC
Max. switching current	0.5A
Max. switching power	10W
Contact material	Ruthenium

## CHARACTERISTICS

Insulation resistance	Min. 100MΩ
Dielectric strength	1500VDC, 1 min between coil to contacts 200VDC, 1 min. between open contacts
Operate time (nominal volt.)	Max. 0.5 ms
Release time (nominal volt.)	Max. 0.5 ms
Vibration resistance	Max. 10G
Ambient temperature	- 40 to + 80°C
Life expectancy	1 x 10 <sup>7</sup> operations (10VDC, 4mA) 1 x 10 <sup>8</sup> operations
- Electrical - Mechanical	

## COIL SPECIFICATIONS

Nominal voltage (VDC)	Pick-up voltage (VDC) (Max.)	Drop-out voltage (VDC) (Min.)	Nominal current (mA ± 10%)	Coil resistance (Ω ± 10%)	Power consumption (mW)	Max. continuous Voltage (VDC)
3	2.25	0.3	12	250	36	5
5	3.75	0.5	10	500	50	10
12	9	1.2	12	1000	144	20
24	18	2.4	12	2000	288	28

## ORDERING INFORMATION

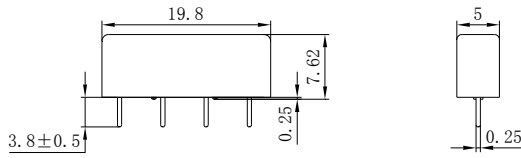
<u>MES1</u>	<u>A</u>	<u>05</u>	<u>D</u>	<u>E</u>	<u>M</u>
-------------	----------	-----------	----------	----------	----------

Model No.	Contact Form	Coil Voltage	Package	Diode	Magnetic Shield
MES1	A: 1A-NO B: 1B-NC	3、5、12 and 24VDC	D: DIP Nil: SIP	E: Diode Nil: Standard	M: With magnetic shield Nil: Standard

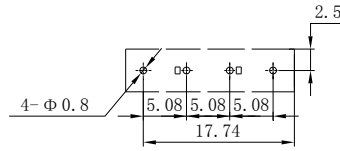
DIMENSION(unit:mm)

Tolerance :  $\pm 0.3$

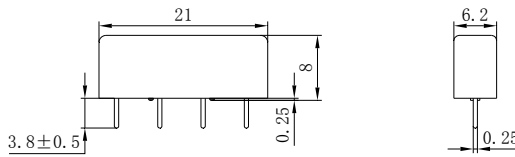
SIP



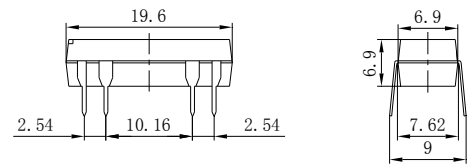
Bottom view  
(PCB LAYOUT)



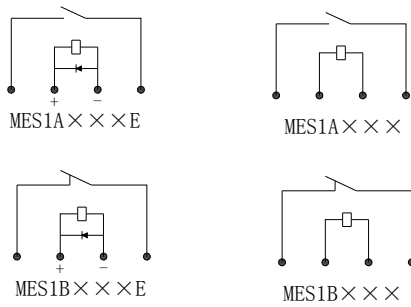
Magnetic Shield



DIP



SCHEMATIC



SCHEMATIC

