

## FEATURES

- 15A switching capabilities
- 1A and 1C configurations
- Sealed Types available
- Conform to ROHS,ELV directive

## CONTACT DATA

Contact form	1A ; 1C
Initial contact resistance	Max. 100mΩ (at 1A 6VDC)
Rated load (Resistive load )	1A: 20A / 14VDC 1C : 15A / 14VDC COS φ =1
Max. switching power	280W
Max. switching current	20A
Max. switching voltage	16VDC
Contact material	Silver alloy

## CHARACTERISTICS

Insulation resistance	100MΩ, 500VDC
Initial breakdown voltage	1500Vrms, 1 min. between contacts and coil 500Vrms, 1 min. between open contacts
Operate time	15ms
Release time	10ms
Vibration resistance	1.5mm 10 to 55Hz
Shock resistance	Operating Extremes :10G Damage Limits :100G
Humidity	40% to 85% RH
Ambient temperature	- 40°C to + 85°C
Life expectancy	
- Electrical	1 x 10 <sup>5</sup> operations(at 30 ops/min)
- Mechanical	1 x 10 <sup>7</sup> operations(at 300 ops/min)

## COIL SPECIFICATIONS -0.64W

Nominal voltage (VDC)	Pick-up voltage VDC(Max.)	Drop-out voltage VDC(Min.)	Nominal current (mA±10%)	Coil resistance (Ω±10%)	Power consumption(W)
9	5.85	0.9	71.4	126	0.64
12	7.8	1.2	53.3	225	0.64
24	15.6	2.4	26.7	900	0.64

## -0.8W

Nominal voltage (VDC)	Pick-up voltage VDC(Max.)	Drop-out voltage VDC(Min.)	Nominal current (mA±10%)	Coil resistance (Ω±10%)	Power consumption(W)
6	3.9	0.6	133.3	45	0.8
12	7.8	1.2	66.6	180	0.8
24	15.6	2.4	33.3	720	0.8

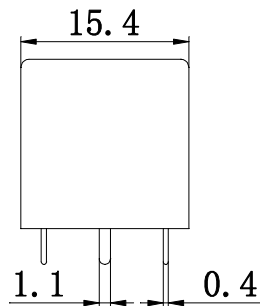
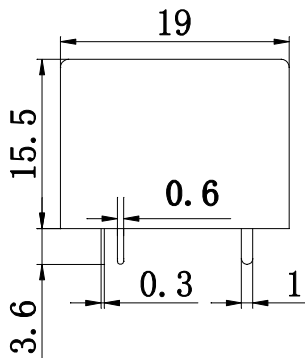
## ORDERING INFORMATION

MEA2 - 012 - 1H D S

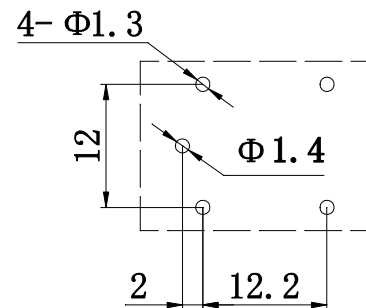
Model No.	Coil Voltage	Contact Form	Coil Power	Protection
MEA2	6、9、12、24	1H: 1A 1Z: 1C	Nil: 0.64W D: 0.8W	Nil: Flux free type S: Sealed type

## DIMENSIONS (unit mm)

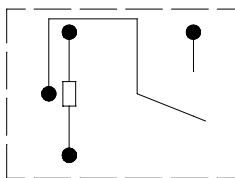
Tolerance  $\pm 0.4$ mm



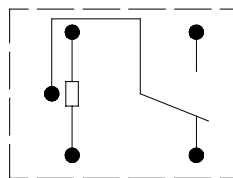
## PCB LAYOUT



## SCHEMATIC (Bottom View)



1A



1C

**Disclaimer: All the specifications are subject to change without notice.**