

## FEATURES

- Max.25A switching capabilities
- 1A,1B,1C,1U configurations
- Subminiature standard PC layout
- High resistance to vibration and shock
- Low power consumption 0.6W
- UL & CUL approval, File No.: E179936

## CONTACT DATA

Contact form	1A,,1B,1C,1U
Contact resistance (Initial)	100mΩ (measured at 1A 6VDC)
Contact rating - resistive	1H-NO: 20A 14VDC 1D-NC: 12A 14VDC 1Z-1C:7A 120VAC/14VDC 1U: 2×10A/ 14VDC
Max. switching current	25A
Max. switching power	280W 1250VA
Max. switching voltage	30VDC 250VAC
Contact material	Silver Alloy

## CHARACTERISTICS

Insulation resistance	100MΩ at 500VDC
Dielectric strength	
- Between coil to contacts	500VAC, at 1 minute
- Between open contacts	500VAC, at 1 minute
Operate time	10 ms
Release time	5 ms
Ambient temperature	-40°C to +85°C
Humidity	35% to 95% RH
Vibration resistance	10-55Hz at 1.5mm
Shock resistance	100m/s <sup>2</sup> Malfunction 1000m/s <sup>2</sup> Mechanical
Life expectancy	
- Electrical	1 x 10 <sup>5</sup> operations(at 30 operations/minute)
- Mechanical	1 x 10 <sup>7</sup> operations

## COIL SPECIFICATIONS 0.6W

Nominal voltage(VDC)	Pick-up voltage(VDC) (Max.)	Drop-out voltage(VDC) (Min.)	Nominal current (mA±10%)	Coil resistance (Ω±10%)	Power consumption (mW)
5	3.25	0.40	119	42	600
6	3.9	0.48	100	60	600
9	5.85	0.72	66.6	135	600
12	7.8	0.96	50	240	600
24	15.6	1.92	25	960	600

## COIL SPECIFICATIONS 0.8W

Nominal voltage(VDC)	Pick-up voltage(VDC) (Max.)	Drop-out voltage(VDC) (Min.)	Nominal current (mA±10%)	Coil resistance (Ω±10%)	Power consumption (mW)
5	3.25	0.40	161.3	31	800
6	3.9	0.48	133	45	800
9	5.85	0.72	88.9	100	800
12	7.8	0.96	66.7	180	800
24	15.6	1.92	33.3	720	800

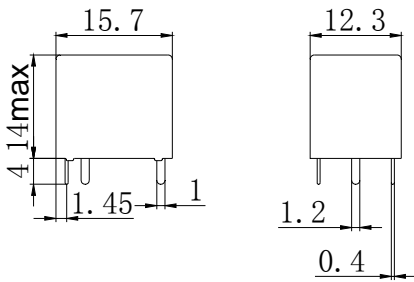
## ORDERING INFORMATION

MEA1 - 012 - 1Z W 8

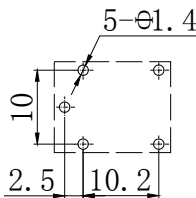
Model No.	Coil Voltage	Contact Form	Contact Material	Coil power consumption
MEA1	5, 6, 9, 12, 24VDC	1H: NO 1D: NC 1Z: 1C 1U: 1U	Nil: AgCdO W: AgSnO <sub>2</sub>	Nil: 0.6W 8: 0.8W

## DIMENSIONS (unit:mm)

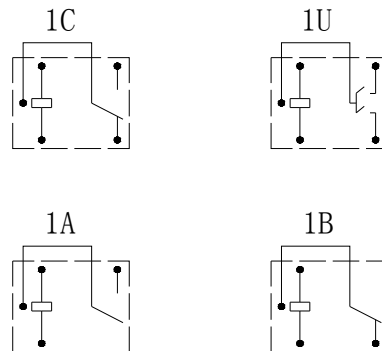
Dimensions



PCB LAYOUT



SCHEMATIC  
(Bottom View)



Disclaimer: All the specifications are subject to change without notice.