

## FEATURES

- Inrush current 100A
- 10A switching capabilities, 1A and 1C
- UL & CUL approval No. E179937, TUV approval No. R50393270

## CONTACT DATA

Contact form	1A ; 1C
Contact resistance (Initial)	100mΩ (measured at 1A / 6VDC)
Contact rating	10A / 30VDC 10A / 250VAC TV-5 125VAC
Max. switching voltage	250VAC,30VDC
Max. switching current	10A
Inrush current	100A
Contact material	AgSnO <sub>2</sub> , AgCdO

## CHARACTERISTICS

Insulation resistance	1000MΩ at 500VAC
Dielectric strength – NO - NC	4000VAC, coil to contacts 3000VAC, coil to contacts 1000VAC, between open contacts
Surge strength ( for NO )	10000V ( at 1.2 x 50μs)
Operate time (norminal V.)	Max. 15 ms
Release time (norminal V.)	Max. 5 ms
Vibration resistance	10-55Hz at double amplitude of 1.5mm
Shock resistance	Functional:200m/s <sup>2</sup> ;Destructive:1000m/s <sup>2</sup>
Humidity	35% to 85%
Ambient temperature	- 40°C to + 70°C
Life expectancy - Electrical - Mechanical	1 x 10 <sup>5</sup> operations ( at rated load) 1 x 10 <sup>7</sup> operations

## COIL SPECIFICATIONS – 1. Standard

Nominal voltage (VDC)	Pick-up voltage (VDC) Max.	Drop-out voltage(VDC) Min.	Nominal current (mA±10%)	Coil resistance (Ω±10%)	Power consumption (mW)	Max. allowable voltage at 20°C (VDC)
5	3.75	0.25	106	47	530	6.5
6	4.5	0.3	88.3	68	530	7.8
9	6.75	0.45	58.9	155	530	11.7
12	9	0.6	44.2	270	530	15.6
18	13.5	0.9	29.4	620	530	23.4
24	18	1.2	22.1	1080	530	31.2
48	36	2.4	11	4400	530	62.4

## 2. Sensitive for 1A

Nominal voltage (VDC)	Pick-up voltage (VDC) Max.	Drop-out voltage(VDC) Min.	Nominal current (mA±10%)	Coil resistance (Ω±10%)	Power consumption (mW)	Max. allowable voltage at 20°C (VDC)
5L	3.75	0.25	50	100	250	6.5
6L	4.5	0.3	41.7	145	250	7.8
9L	6.75	0.45	27.8	325	250	11.7
12L	9	0.6	20.8	575	250	15.6
18L	13.5	0.9	13.9	1300	250	23.4
24L	18	1.2	10.4	2310	250	31.2

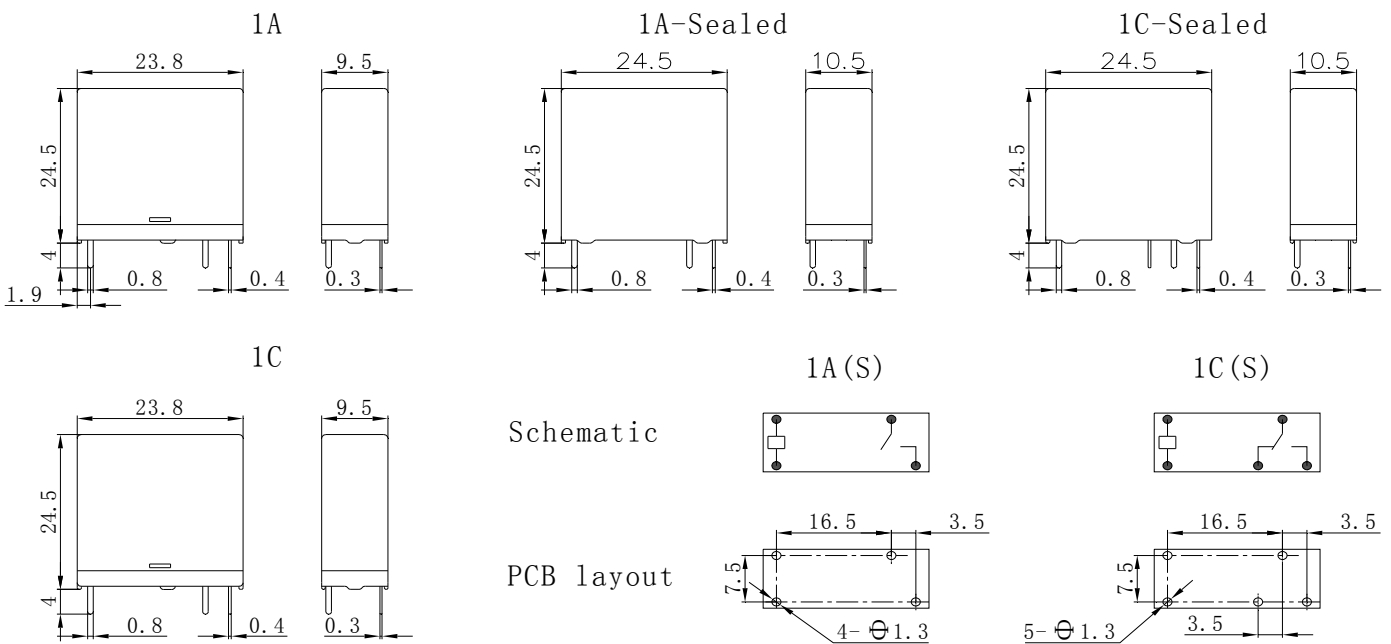
## ORDERING INFORMATION

ME-7 - 012 - H S L T B

Model No.	Coil Voltage	Contact Form	Protection	Coil Resistance	Contact material	Insulation System
ME-7	5、6、9、12、 18 and 24VDC	H: 1A Z: 1C	Nil: Unsealed S: Sealed	Nil: Standard L: Sensitive	Nil: AgCdO T: AgSnO <sub>2</sub>	Nil: Class A B: Class B

## DIMENSIONS (unit:mm)

Tolerance:±0.3



Disclaimer: All the specifications are subject to change without notice.