

FEATURES

- 30A switching capabilities
- 1A or 2A configurations
- 4KV dielectric strength between coil and contacts
- Contact Gap: 3mm
- UL & CUL Approval File No.: E179937

CONTACT DATA

Contact form	1A, 2A
Contact resistance (Initial)	$\leq 100\text{m}\Omega$ (1A 24VDC)
Contact rating (Resistive)	1A: 30A / 277VAC 30A / 28VDC 2A: 25A / 277VAC 25A / 28VDC
Max. switching power	1A: 7500VA / 840W 2A: 6250VA / 700W
Max. switching voltage	277VAC / 28VDC
Max. switching current	1A: 30A 2A: 25A
UL / CUR rating	30A 277VAC 1.5HP 120VAC 3HP 240VAC TV-10 120VAC 10A 120VAC TUNGSTEN
TÜV rating	25A 240VAC $\cos\Phi=0.4$ 25A 240VAC $\cos\Phi=1$ 27A 240VAC $\cos\Phi=0.8$
Contact material	AgCdO / AgSnO ₂

CHARACTERISTICS

Initial insulation resistance	1000M Ω , 500VDC
Dielectric strength	4000VAC, 1 min between coil and contacts 2000VAC, 1 min between contacts
Operate time	30 ms (at nomi. Vot.)
Release time	30 ms (at nomi. Vot.)
Vibration resistance	10 - 55Hz, 1.5mm
Shock resistance	Functional: 98m/s ² Destructive: 980m/s ²
Humidity	98% (+ 40°C)
Ambient temperature	- 55°C to +70°C
Life expectancy	
- Electrical	10 ⁵
- Mechanical	10 ⁷

COIL SPECIFICATIONS

Nominal voltage (VDC)	Pick-up voltage VDC(Max.)	Drop-out voltage VDC(Min.)	Nominal current (mA $\pm 10\%$)	Coil resistance ($\Omega\pm 10\%$)	Power consumption (W)
3	2.25	0.3	633.3	4.7	1.9
6	4.5	0.6	316.7	18.8	1.9
12	9	1.2	158.3	75	1.9
24	18	2.4	79.2	300	1.9
48	36	4.8	39.6	1200	1.9
100	75	10	19	5200	1.9
110	82.5	12	17.3	6300	1.9
200	150	20	9.5	21000	1.9

COIL SPECIFICATIONS

Nominal voltage (VAC)	Pick-up voltage VAC(Max.)	Drop-out voltage VAC(Min.)	Nominal current (mA±10%)	Coil resistance (Ω±10%)	Power consumption (VA)
6	4.8	0.9	450	18.8	2.7
12	9.6	1.8	225	75	2.7
24	19.2	3.6	112.5	300	2.7
48	38.4	7.2	56.3	1200	2.7
120	96	18	22.5	5200	2.7
220	176	33	12.3	20800	2.7

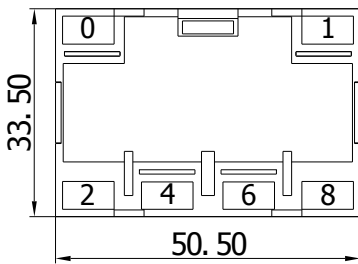
ORDERING INFORMATION

ME-63-1 - 012 A - P - 1H T F W C

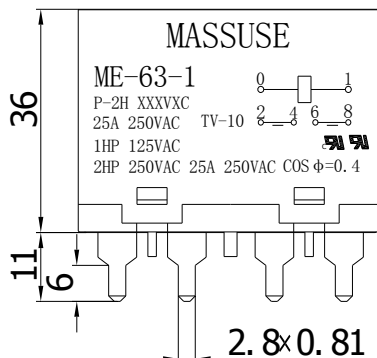
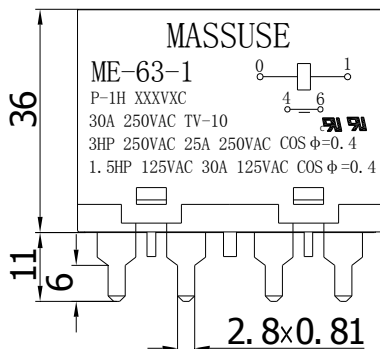
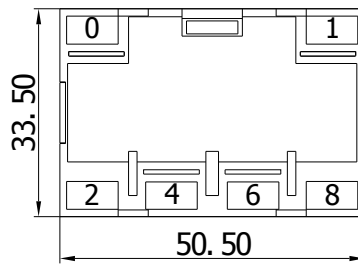
Model No.	Coil Voltage	Coil Source	Termination	Contact Form	Contact Material	Insulation System	Contact Gap	Capacitor (for AC only)
ME-63-1	DC:3-200VDC	D: VDC	A: Mount	1H: 1A	Nil: AgCdO	Nil:Class B	Nil: Standard	Nil: Standard
ME-63-2	AC: 6-220VAC	A: VAC	P: PCB	2H: 2A	T: AgSnO ₂	F: Class F	W: Wider Gap (3.0mm)	C: With capacitor
ME-63-3			F: Flanged L: Screw					

DIMENSIONS (unit:mm)

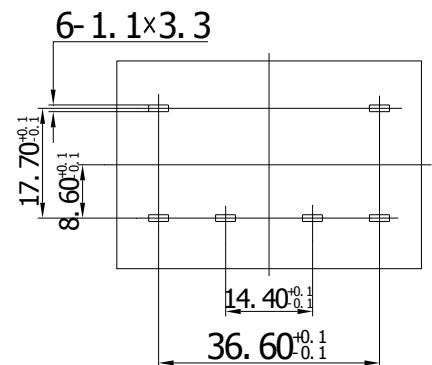
ME-63-1-XXX-X-P-1HX



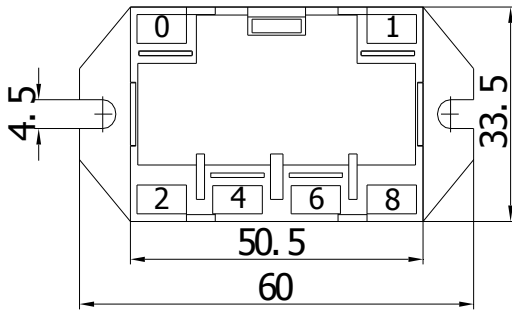
ME-63-1-XXX-X-P-2HX



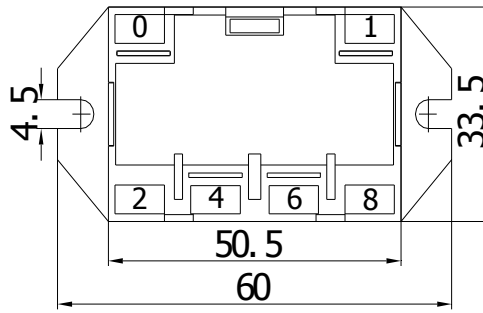
PCB LAYOUT



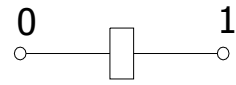
ME-63-1-XXX-X-F-1HX



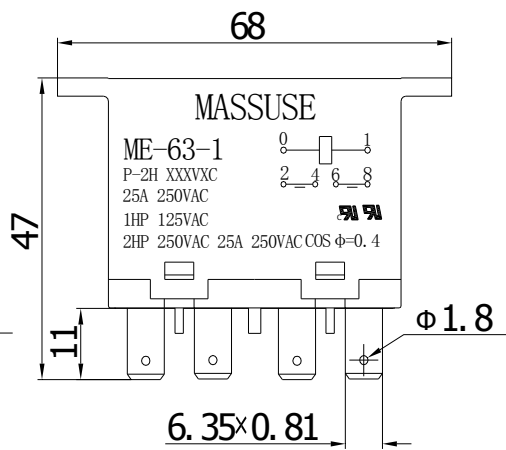
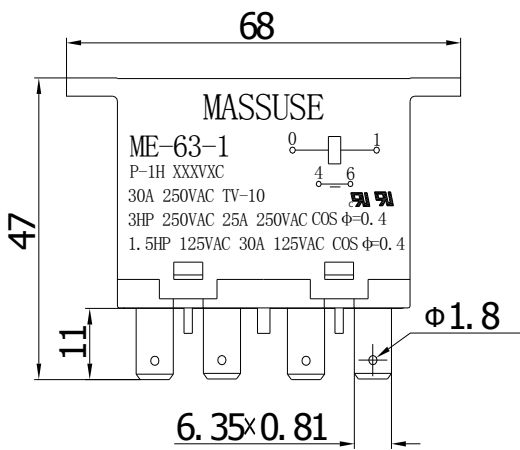
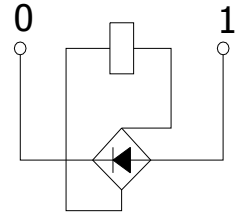
ME-63-1-XXX-X-F-2HX



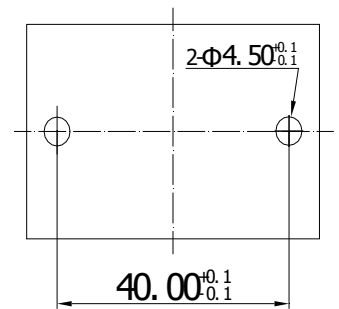
DC operati on coi l



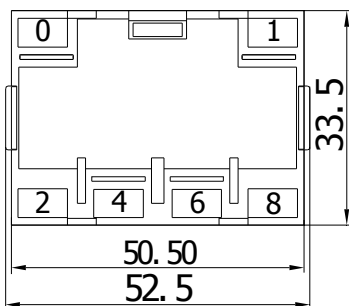
AC operati on coi l



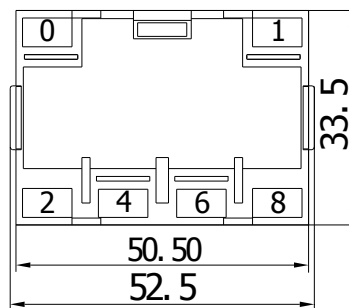
Mouti ng hol es



ME-63-1-XXX-X-A-1HX

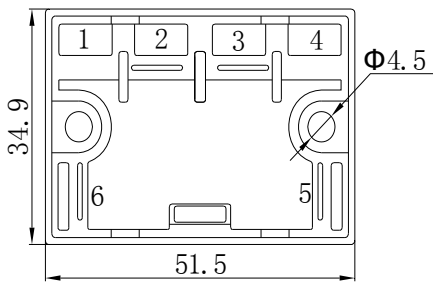


ME-63-1-XXX-X-A-2HX

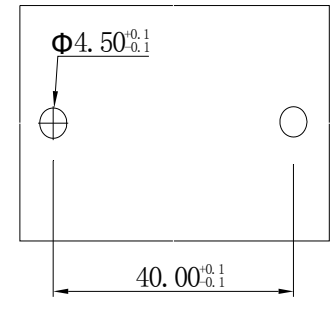
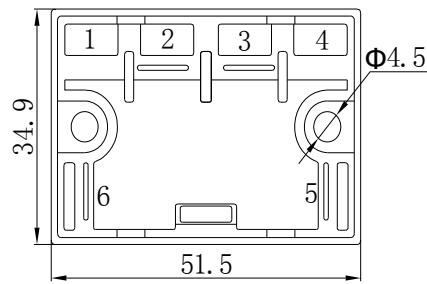


Disclaimer: All the specifications are subject to change without notice.

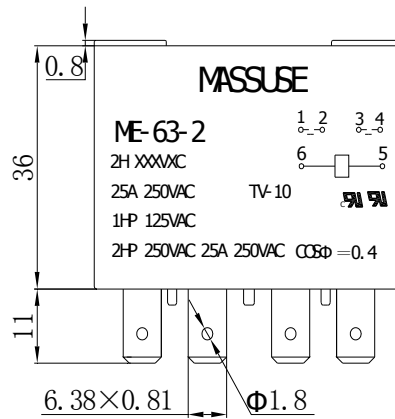
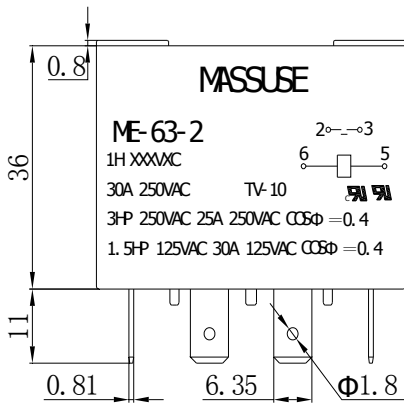
ME-63-2-XXX-X-L-1H-X-X



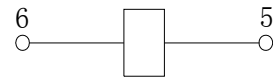
ME-63-2-XXX-X-L-2H-X-X



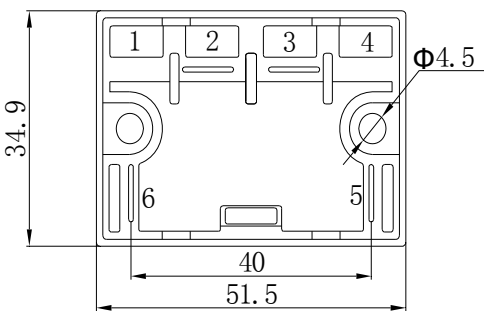
Wiring Diagram



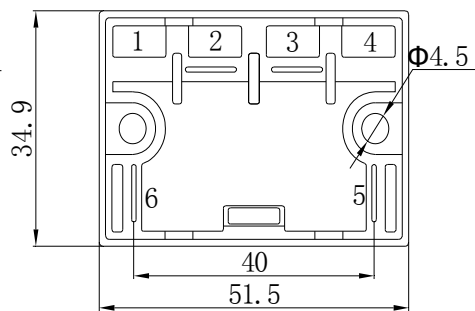
DC operation coil



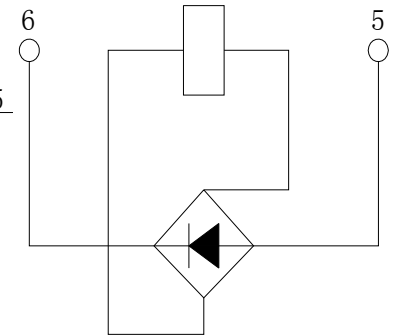
ME-63-2-XXX-X-P-1H-X-X



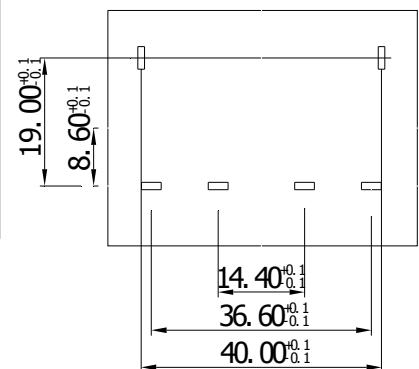
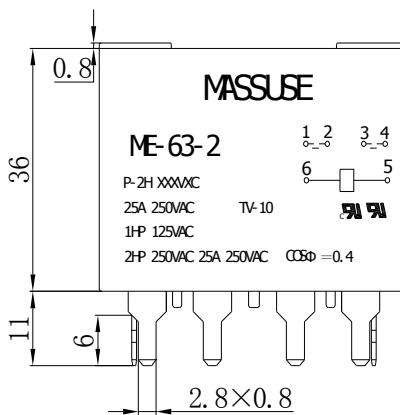
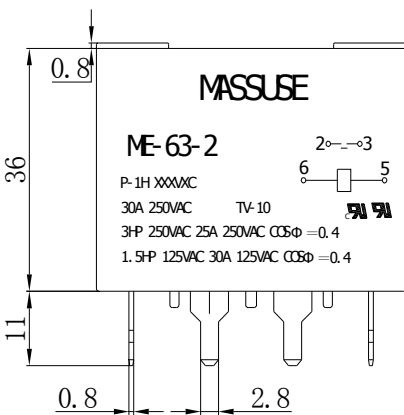
ME-63-2-XXX-X-P-2H-X-X



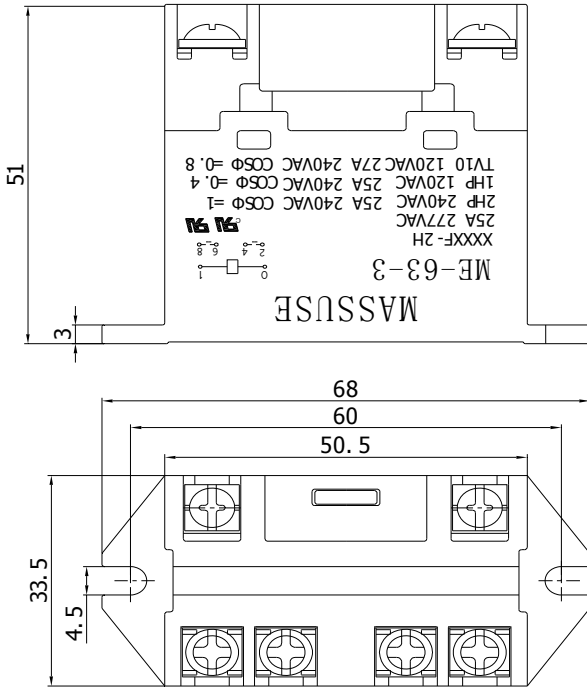
AC operation coil



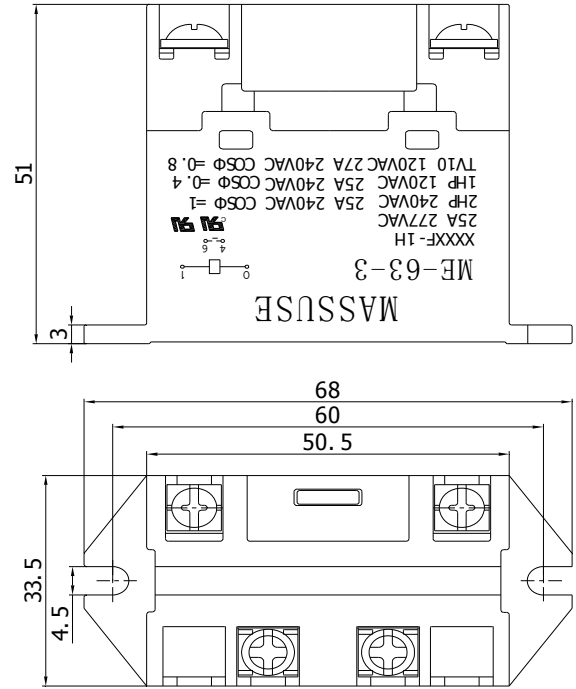
PCB layout



ME-63-3-XXXXF-1H

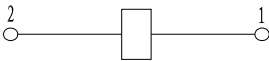


ME-63-3-XXXXF-2H

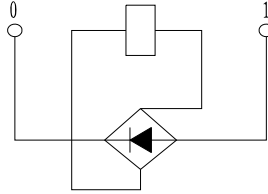


Wiring Diagram

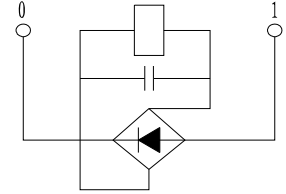
DC operation coil



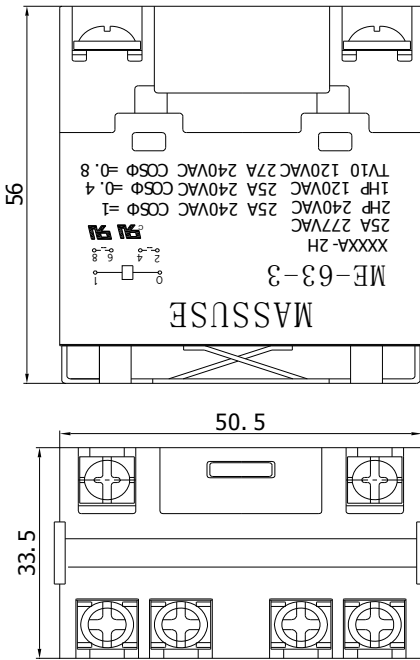
AC operation coil



With capacitor AC operation coil



ME-63-3-XXXXA-1H



ME-63-3-XXXXA-2H

