

FEATURES

- 30A switching capabilities
- 2 A and 2 C configurations
- Meets 8mm creepage distance
- 4KV dielectric strength
- Meets Class F construction
- UL & CUL Approval File No.: E179937

CONTACT DATA

Contact form	2A & 2C
Contact resistance (Initial)	50mΩ (at 1A 24VDC)
Contact rating (Resistive)	NO: 30A 250/277VAC NC: 3A 250/277VAC
Max. switching power	8310VA
Max. switching voltage	277VAC
Max. switching current	30A
Contact material	AgSnO ₂ / AgCdO

CHARACTERISTICS

Insulation resistance	1000MΩ min (at 500VDC)
Dielectric strength	4000VAC, 1 min. between coil and contacts 1500VAC, 1 min. between open contacts 2000VAC, 1 min. between contact poles
Surge voltage	10000VAC, between contacts and coil
Operate time	≅ 25 ms (DC type) (at nomi. vot.)
Release time	≅ 25 ms (DC type) (at nomi. vot.)
Vibration resistance	10-55Hz, DA. 1.65mm
Shock resistance	Functional: 98m/s ² ; Destructive: 980m/s ²
Temperature rise	DC type:90K Max AC type:70K Max
Humidity	5% to 85% RH
Ambient temperature	AC: - 40°C to +65°C DC: - 40°C to + 85°C
Life expectancy - Electrical - Mechanical	1 x 10 ⁵ ops(NO:30A 277VAC, NC:3A 277VAC,Resistive load, Room temp, 1s on 9s off) 5 x 10 ⁶ ops

COIL SPECIFICATIONS

Nominal voltage (VDC)	Pick-up voltage VDC(Max.)	Drop-out voltage VDC(Min.)	Coil resistance (Ω±10%)	Max. allowable voltage (VDC)	Power consumption (W)
5	3.8	0.5	15.3	8.0	1.7
6	4.5	0.6	22	9.6	1.7
12	9	1.2	86	19.2	1.7
24	18	2.4	350	38.4	1.7
48	36	4.8	1390	76.8	1.7
110	83	11	7255	176	1.7

COIL SPECIFICATIONS AC type(at 50Hz)

Nominal voltage (VAC)	Pick-up voltage VAC(Max.)	Drop-out voltage VAC(Min.)	Coil resistance ($\Omega \pm 10\%$)	Max. allowable voltage (VAC)	Power consumption (VA)
24	19.2	4.8	45	26.4	4
120	96	24	1125	132	4
208	166.4	41.6	3278	229	4
220	176	44	3800	242	4
240	192	48	4500	264	4
277	221.6	55.4	5960	305	4

COIL SPECIFICATIONS AC type(at 60Hz)

Nominal voltage (VAC)	Pick-up voltage VAC(Max.)	Drop-out voltage VAC(Min.)	Coil resistance ($\Omega \pm 10\%$)	Max. allowable voltage (VAC)	Power consumption (VA)
24	19.2	4.8	35.7	26.4	4
120	96	24	830	132	4
208	166.4	41.6	2600	229	4
220	176	44	2870	242	4
240	192	48	3800	264	4
277	221.6	55.4	4700	305	4

COIL SPECIFICATIONS AC type(at 50Hz/60Hz)

Nominal voltage (VAC)	Pick-up voltage VAC(Max.)		Drop-out voltage VAC(Min.)		Coil resistance ($\Omega \pm 10\%$)	Max. allowable voltage (VAC)	Power consumption (VA)
	50Hz	60Hz	50Hz	60Hz			
120	88	96	22	24	950	132	4
208	160	166.4	40	41.6	2841	229	4
240	176	192	44	48	3800	264	4
277	200	221.6	50	55.4	5485	305	4

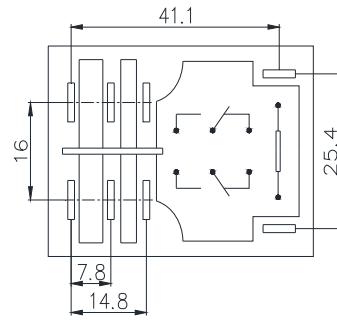
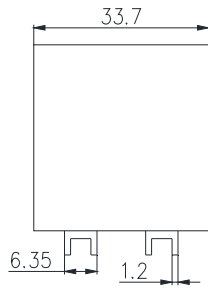
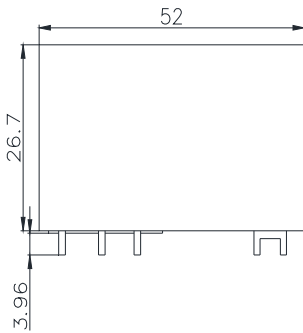
ORDERING INFORMATION

ME-62 - 024 D - 2C 2 1 S

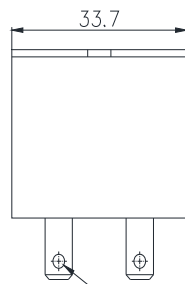
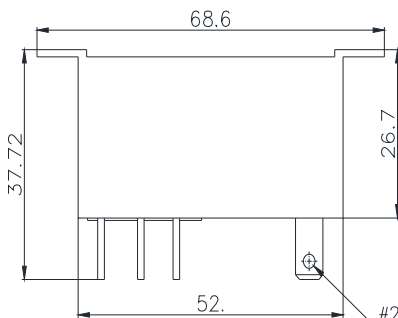
Model No.	Coil Voltage	Coil Input	Contact Form	Termination	Contact Material	Protection
ME-62	DC: 5 to 110VDC AC: 24 to 277VAC	D: VDC A5: AC 50Hz A6: AC 60Hz A: AC 50/60Hz	2A: 2 Form A 2C: 2 Form C	1: PCB 2, 3: QC	1: AgSnO ₂ 2: AgCdO	Nil: Dust cover S: Sealed

Dimensions (unit:mm)

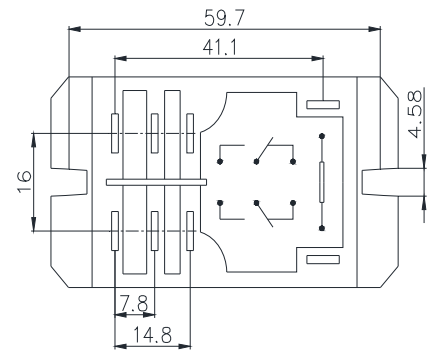
PCB Termination



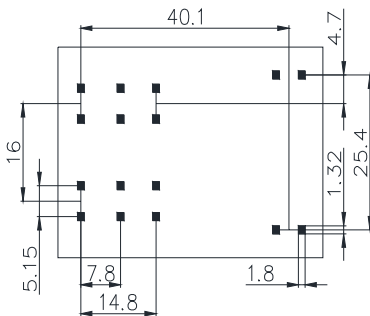
QC Termination



#250(Type2)Faston
#187(Type3)Faston

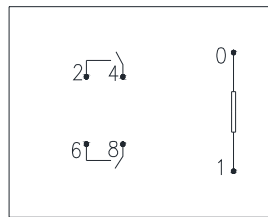


PCB Layout

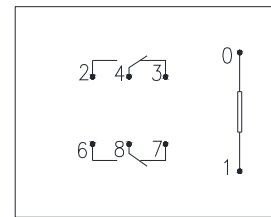


Wiring Diagram

2 Form A



2 Form C



Disclaimer: All the specifications are subject to change without notice.