

FEATURES

- Low height 15.7mm
- 16A switching capabilities
- 2 Form A and 2 Form C configurations
- 5KV dielectric strength from coil to contacts
- Creepage/clearance distance > 10mm, Meets reinforce insulation
- Insulation system: Class F
- UL and CUL approval, File No.: E179936

CONTACT DATA

Contact form	2A & 2C
Contact resistance (Initial)	100mΩ (at 1A 6VDC)
Contact rating (Res.load)	16A 277VAC
Switching capacity	4432VA
Max. switching current	16A
Max. switching voltage	277VAC
Contact material	AgSnO ₂

CHARACTERISTICS

Insulation resistance	1000MΩ at 500VDC
Dielectric strength	5000VAC, 1 min. between coil to contacts 1000VAC, 1 min. between open contacts 2500VAC, 1 min. between contact sets
Operate time	10 ms (at rated voltage)
Release time	5 ms (at rated voltage)
Vibration resistance	NO:10-55Hz, 1.5mm DA NC:10-55Hz, 1.5mm DA
Shock resistance	Functional:98m/s ² Destructive:980m/s ²
Surge voltage	10kV(1.2/50μs),between coil to contacts
Humidity	5% to 85% RH
Ambient temperature	- 40°C to +85°C
Life expectancy - Electrical - Mechanical	5 × 10 ⁴ ops (2NO:16A 277VAC,General load 85°C,1s on 9s off) 5 × 10 ⁶ ops

COIL SPECIFICATIONS: DC TYPE

Nominal voltage (VDC)	Pick-up voltage (VDC)	Drop-out voltage (VDC)	Nominal current (mA±10%)	Coil resistance (Ω±10%)	Power consumption(mW)
5	3.5	0.5	160	31.3	800
6	4.2	0.6	133.3	45	800
9	6.3	0.9	88.8	101.3	800
12	8.4	1.2	66.6	180	800
24	16.8	2.4	33.4	720	800
48	33.6	4.8	16.6	2880 ± 15%	800

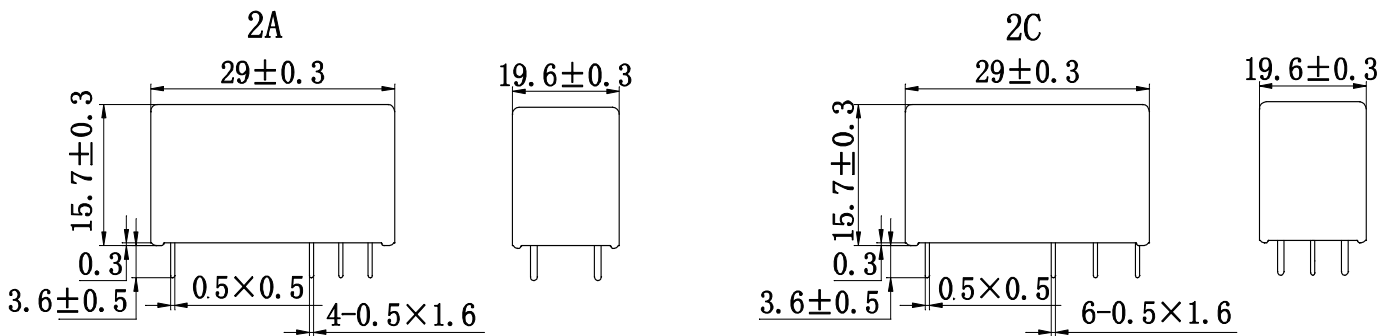
ORDERING INFORMATION

ME-24 - **005** - **2H** **A** **F**

Model No.	Coil Voltage	Contact Form	Contact Material	Insulation
ME-24	5、6、9、12、18、24、 48VDC	2H: 2A 2Z: 2C	A : AgSnO ₂	F: Class F

DIMENSIONS (unit: mm)

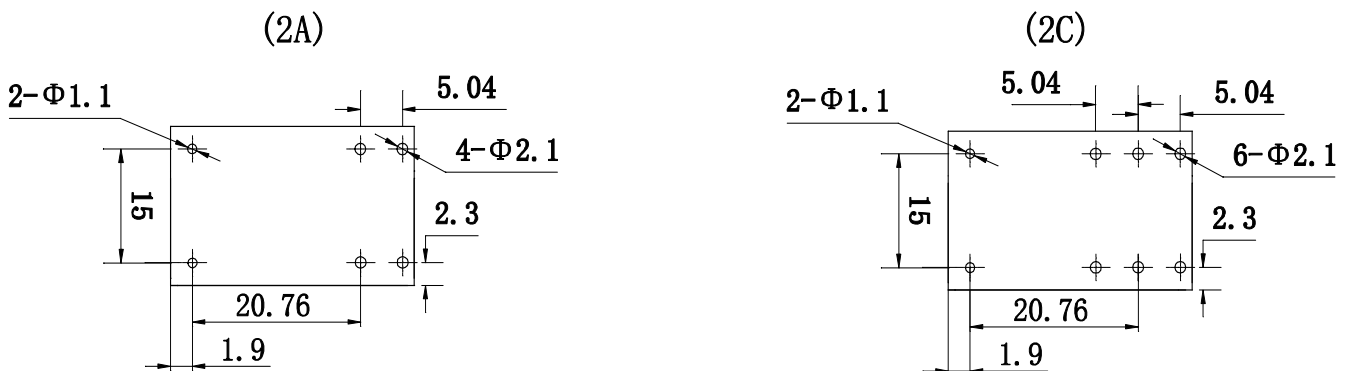
Outline Dimensions



Wiring Diagram (Bottom view)



PCB Layout (Bottom view)



Disclaimer: All the specifications are subject to change without notice.