

FEATURES

- 30A switching capacity, TV-15
- 1A configurations
- Withstands inrush current of 70A
- UL & CUL Approval, File No.: E179937

CONTACT DATA

Contact form	1A
Contact resistance (Initial)	100mΩ max. (at 1A 6VDC)
Contact rating	30A 250VAC 2HP 125VAC/250VAC TV-15
Max. switching capacity	7500VA
Max. switching current	30A
Max. switching voltage	277VAC
Contact material	AgSnO ₂ ,AgCdO

CHARACTERISTICS

Insulation resistance	1000MΩ at 500VDC
Dielectric strength	4000VAC, 1min. between coil to contacts 1200VAC, 1min. between open contacts
Operate time	20 ms
Release time	5 ms
Vibration resistance	10 – 55Hz, DA 1.5mm DA
Shock resistance	Malfunction:196m/s ² ;Destructive:980m/s ²
Humidity	35%–95% RH
Ambient temperature	- 40°C to + 70°C
Life expectancy	Resistive: 30A 250VAC, 1 x 10 ⁵ operations Motor: 2HP 125/250VAC, 1 x 10 ⁵ operations 5 x 10 ⁶ operations
- Electrical	
- Mechanical	

COIL SPECIFICATIONS

Nominal voltage (VDC)	Pick-up voltage VDC (Max.)	Drop-out voltage VDC (Min.)	Nominal current (mA±10%)	Coil resistance (Ω±10%)	Power consumption(mW)
5	3.5	0.5	240	20.8	1200
6	4.2	0.6	200	30	1200
9	6.3	0.9	133.3	67.5	1200
12	8.4	1.2	100	120	1200
24	16.8	2.4	50	480	1200
48	33.6	4.8	25	1920	1200
60	42	6	20	3000	1200

ORDERING INFORMATION

ME-22

-

012

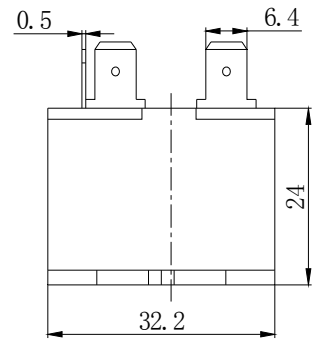
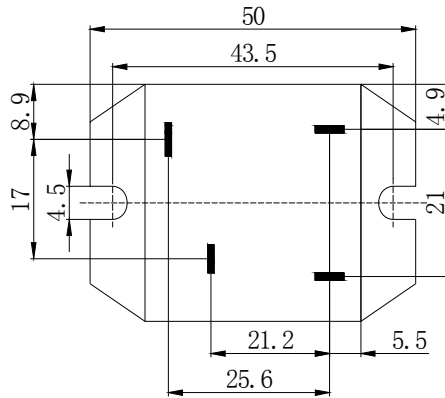
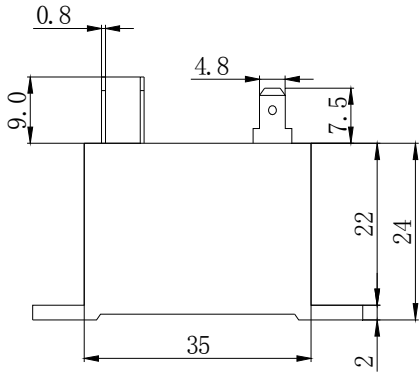
-

1HT

Model No.	Coil Voltage	Contact Form	Contact material
ME-22	5,6,9,12,24,48and 60VDC	1H: 1 Form A	T: AgSnO ₂ Nil: AgCdO

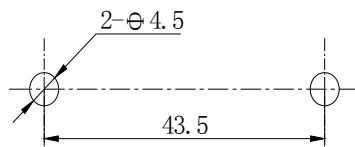
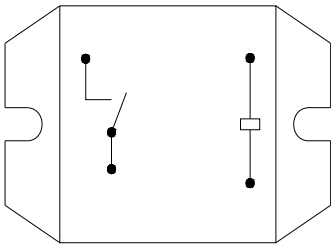
DIMENSIONS(unit:mm)

Tolerance: ± 0.3



Wiring Diagram(Top view)

Mounting Holes



Disclaimer: All the specifications are subject to change without notice.