

FEATURES

- 7A switching capacity
- 4C, 3C and 2C configurations
- Push button type available
- UL and CUL approval, File No.: E179936

CONTACT DATA

Contact form	2C, 3C& 4C
Contact resistance (Initial)	50mΩ (measured at 1A 30VDC)
Contact rating	2C & 3C: 5A, 7A 4C: 5A 30VDC/240VAC
Switching capacity	2C : 150W/1100VA 3C : 210W/1540VA 4C : 90W/660VA :150W/1100VA
Switching current	2C & 3C: 5A, 7A 4C: 5A
Switching voltage	250VAC / 125VDC
Contact material	Silver Alloy

CHARACTERISTICS

Insulation resistance	1000MΩ at 500VDC
Dielectric strength	1500VAC, 1min. between coil to contacts 1000VAC, 1min. between open contacts
Operate time	25 ms
Release time	25 ms
Vibration resistance	10 – 55Hz, 1.5mm
Shock resistance	Malfunction:100m/s ² ;Mechanical:1000m/s ²
Humidity	35% to 95% RH
Ambient temperature	- 55°C to + 70°C
Life expectancy	
- Electrical: 2Z&3Z	2 x 10 ⁵ operations(5A) 1 x 10 ⁵ operations(7A)
4Z:	2 x 10 ⁵ operations(3A) 1 x 10 ⁵ operations(5A)
- Mechanical	2 x 10 ⁷ operations

COIL SPECIFICATIONS

Nominal voltage (VDC)	Pick-up voltage VDC (Max.)	Drop-out voltage VDC (Min.)	Nominal current (mA±10%)	Coil resistance (Ω±10%)	Power consumption(mW)
5	4	0.5	180	27.5	900
6	4.8	0.6	150	40	900
12	9.6	1.2	75	160	900
24	19.2	2.4	37.5	650	900
48	38.4	4.8	18.8	2600	900
110	88	11	8.2	11000	900

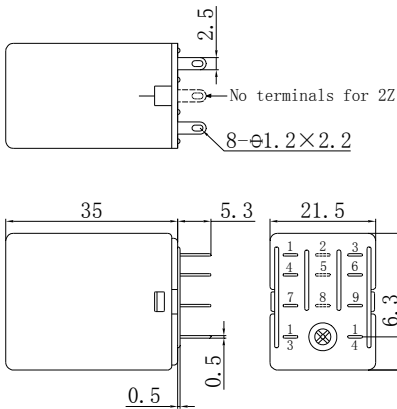
Nominal voltage (VAC)	Pick-up voltage VAC (Max.)	Drop-out voltage VAC (Min.)	Nominal current (Ma±10%)	Coil resistance (Ω±10%)	Power consumption(VA)
6	4.8	1.8	200	11.5	1.2
12	9.6	3.6	100	46	1.2
24	19.2	7.2	50	184	1.2
48	38.4	14.4	25	735	1.2
120	96	36	10	4550	1.2
220/240	176	66	5.5	14400	1.2

ORDERING INFORMATION

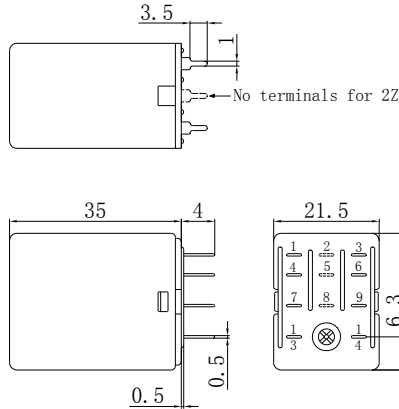
Model No.	Coil Source	Coil Voltage	Contact Form	Mounting Termination	Led	Push Button
ME-18FF	Nil: DC A: AC	DC: 5,6,9,12,24, 48 and 110VDC AC: 6,12,24,48,120, 220 and 240VAC	2Z: 2 C 3Z: 3 C 4Z: 4 C	1 – 5 type: See following	D: With LED	Nil: Standard H: Push button

Dimensions(unit:mm)

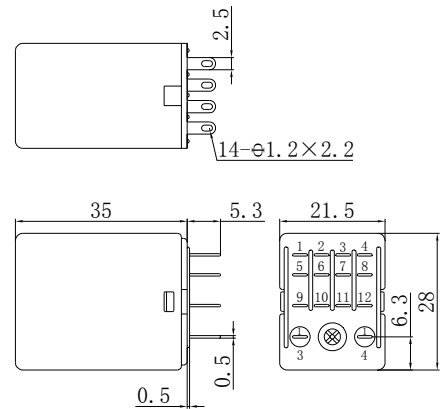
ME-18FF-XXX-2Z1/3Z1 (D)



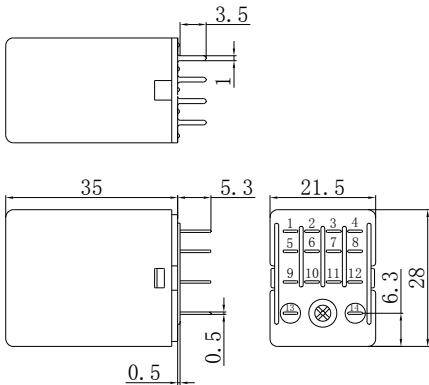
ME-18FF-XXX-2Z2/3Z2 (D)



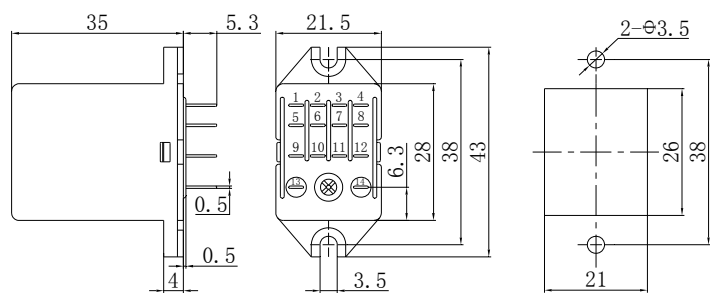
ME-18FF-XXX-4Z1 (D)



ME-18FF-XXX-4Z2 (D)

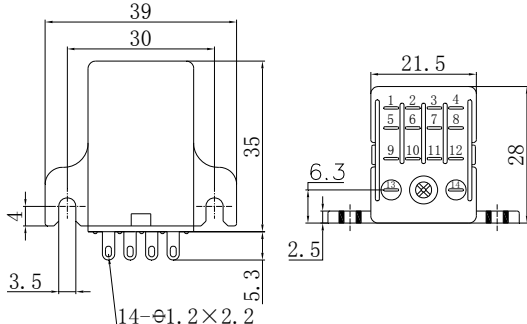


ME-18FF-XXX-4Z3 (D)

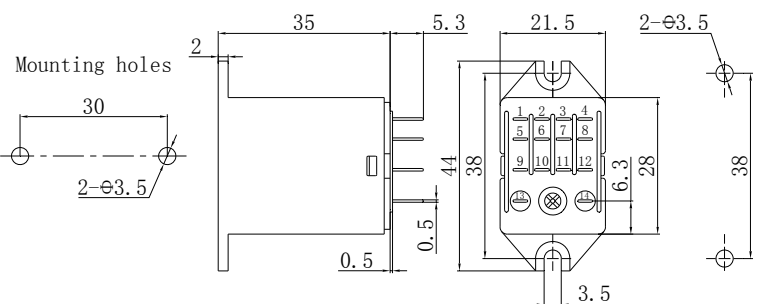


Mounting holes

ME-18FF-XXX-4Z4 (D)

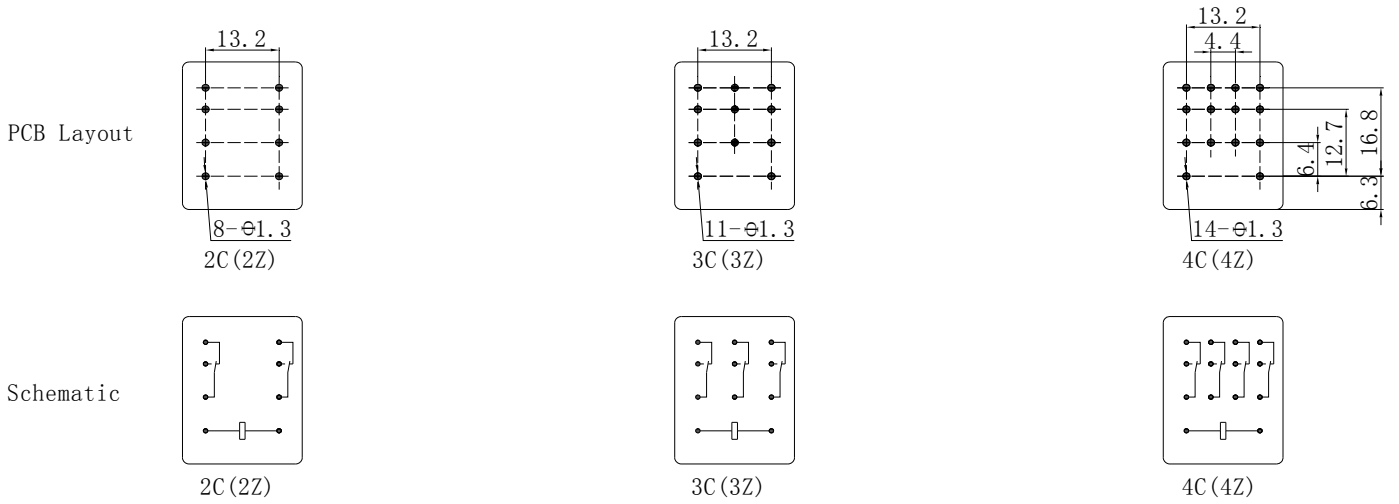


ME-18FF-XXX-4Z5 (D)



Mounting holes

Dimensions(unit:mm)



Disclaimer: All the specifications are subject to change without notice.