

## FEATURES

- 20A switching capability
- 5KV dielectric strength between coil to contacts
- 10KV surge voltage between coil to contacts
- Meet requirements of 8mm creepage distance
- UL and CUL approval, File No.: E179936

## CONTACT DATA

Contact form	1A – NO
Contact resistance (Initial)	50mΩ ( at 1A 6VDC)
Contact rating	16A / 250VAC 16A / 30VDC
Max. switching capacity	4000VA/480W
Max. switching voltage	277VAC/30VDC
Max. switching current	20A
Contact material	Silver Alloy

## CHARACTERISTICS

Insulation resistance	1000MΩ at 500VDC
Dielectric strength	5000VAC, 1min. between coil to contacts 1000VAC, 1min. between open contacts
Operate time	20 ms
Release time	10 ms
Vibration resistance	10 – 55Hz, 1.5mm DA
Shock resistance	Functional:98m/s <sup>2</sup> Destructive:980m/s <sup>2</sup>
Humidity	5% to 85%RH
Ambient temperature	- 40°C to 85°C
Life expectancy	1 × 10 <sup>5</sup> ops(16A 250VAC,Resistive load, Room temp,3s on 3s off) 1 × 10 <sup>7</sup> operations
- Electrical	
- Mechanical	

## COIL SPECIFICATIONS

Nominal voltage (VDC)	Pick-up voltage VDC (Max.)	Drop-out voltage VDC (Min.)	Nominal current (mA±10%)	Coil resistance (Ω±10%)	Power consumption(mW)
5	4	0.5	108	47	540
6	4.8	0.6	90	68	540
9	7.2	0.9	60	155	540
12	9.6	1.2	45	270	540
18	14.4	1.8	30	620	540
24	19.2	2.4	22.5	1100	540
48	38.4	4.8	11.3	4400	540

## ORDERING INFORMATION

**ME-18**

-

**12**

**1H**

**T**

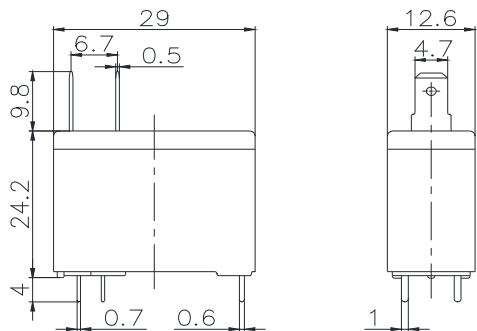
**F**

Model No.	Coil Voltage	Contact Form	Termination	Insulation System
ME-18	5, 6, 9, 12, 18, 24, 48VDC	1H: 1A – NO	Nil: PCB&QC T:PCB D:PCB&Bended QC	Nil: Class B F : Class F

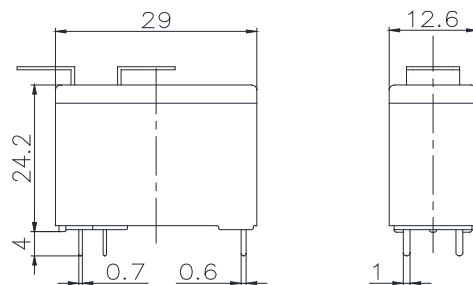
Dimensions(unit:mm)

Tolerance:±0.3

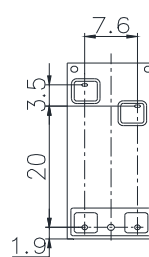
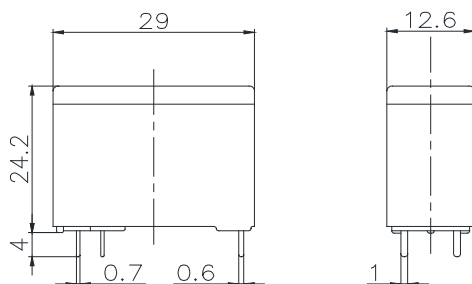
Standard



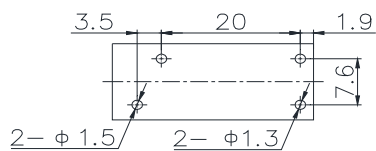
D type



T type



PCB LAYOUT



PCB&QC TYPE

