

FEATURES

- 10A switching capabilities
- 1A, 1C configurations
- 5KV dielectric strength from coil to contacts
- UL & CUL Approval File No.: E179937,

CONTACT DATA

Contact form	1A, 1C
Contact resistance (Initial)	Max. 50mΩ (by voltage drop at 1A 6VDC)
Resistive load, $\cos\Phi=1$	10A 250VAC ; 10A 30VDC 1/2 hp 277Vac TV-5 120VAC
Max. switching voltage	250VAC, 30VDC
Max. switching current	10A
Max. switching power	2200VA, 300W
Contact material	Silver Alloy

CHARACTERISTICS

Insulation resistance	Min. 1000MΩ (at 500VDC)
Dielectric strength	5000VAC, 1 min. between coil to contacts
- Standard type	1000VAC, 1 min. between open contacts
- W type	3000VAC, 1 min. between open contacts 3000VAC, 1min. between contacts sets
Operate time	Max. 15 msec. (at nominal voltage)
Release time	Max. 10 msec. (at nominal voltage)
Shock resistance	Functional: Min. 10G Destructive: Min. 100G
Vibration resistance	10 - 55Hz, 1.5mm double amplitude
Ambient temperature	- 40°C to + 70°C
Humidity	35 – 85% RH
Life expectancy	
- Electrical	1 × 10 ⁵ operations (at rated load)
- Mechanical	1 × 10 ⁷ operations
Weight	about 17g

COIL SPECIFICATIONS

- Standard Type

Nominal voltage (VDC)	Pick-up voltage VDC (Max.)	Drop-out voltage VDC (Min.)	Nominal current (mA±10%)	Coil resistance (Ω±10%)	Power consumption (mW)
3	2.25	0.3	183	17	550
5	3.75	0.5	110	47	550
6	4.5	0.6	91.7	68	550
9	6.75	0.9	61.1	160	550
12	9	1.2	45.8	275	550
18	13.5	1.8	30.5	650	550
24	18	2.4	22.9	1100	550
48	36	4.8	11.5	4170	550
60	45	6	9.2	7000	550

- W Type

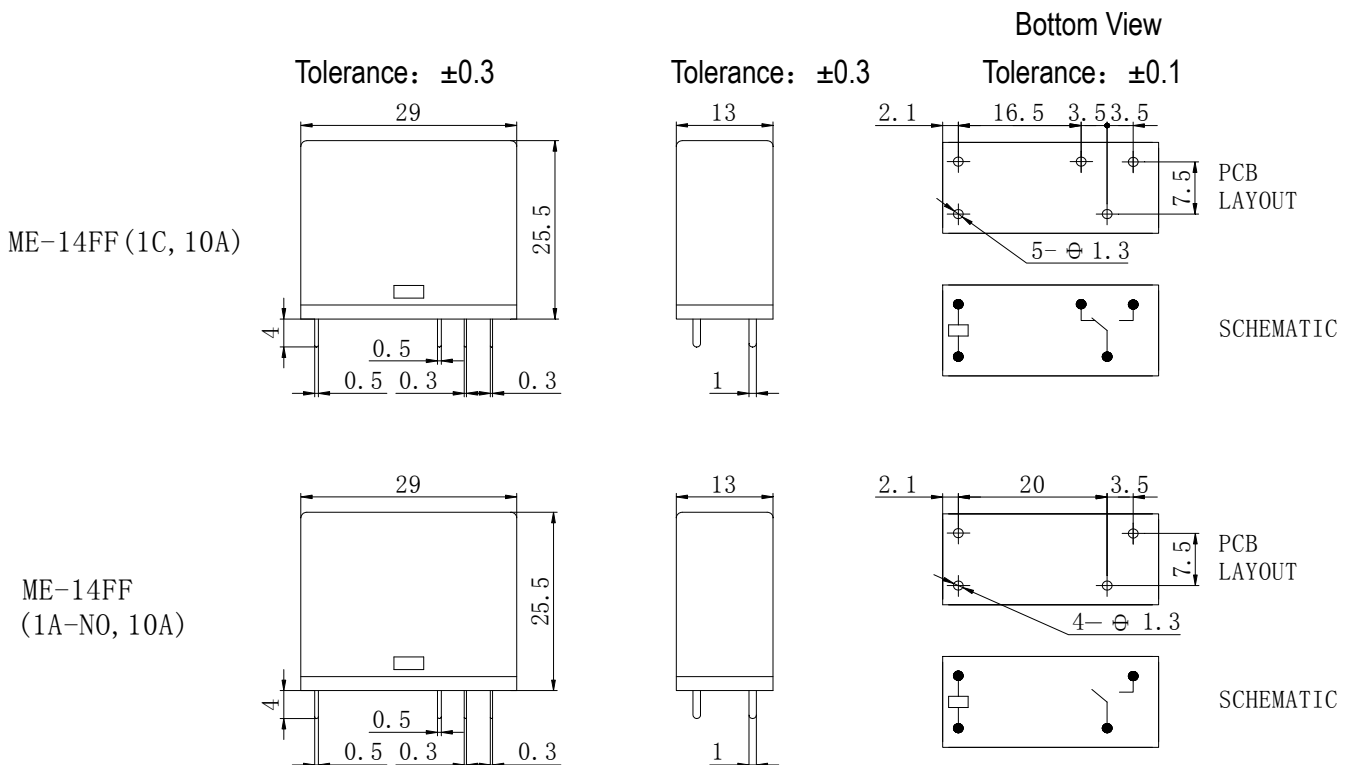
Nominal voltage (VDC)	Pick-up voltage VDC (Max.)	Drop-out voltage VDC (Min.)	Nominal current (mA±10%)	Coil resistance (Ω±10%)	Power consumption(mW)
3	2.25	0.3	266.7	11.3	800
5	3.75	0.5	160	31	800
6	4.5	0.6	133.3	45	800
9	6.75	0.9	88.9	101	800
12	9	1.2	66.7	180	800
18	13.5	1.8	44.4	405	800
24	18	2.4	33.3	720	800
48	36	4.8	16.7	2880	800
60	45	6	13.3	4500	800

ORDERING INFORMATION

ME-14FF - 12 - H 1 S T F W

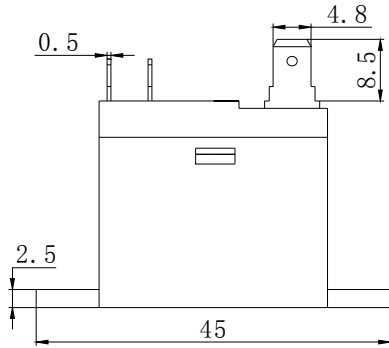
Model No.	Coil voltage	Contact Form	Mounting Termination	Protection	Contact Material	Insulation system	Dielectric strength for open contacts
ME-14FF	DC: 3、5、6、9、12、18、24、48 and 60VDC	H: 1A Z: 1C	Nil: PCB Type 1:QC Type	Nil: Flux Free Type S: Sealed Type	Nil:AgCdO T: AgSnO ₂ 3: AgNi	Nil: Class A B : Class B F : Class F	Nil: 1000Vac 1min, W: 3000Vac 1min,

Dimensions(unit:mm)

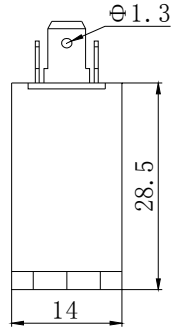


QC TYPE

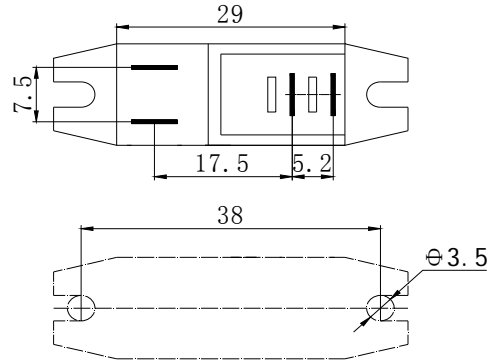
Tolerance: ± 0.3



Tolerance: ± 0.3



Bottom View
Tolerance: ± 0.1



Disclaimer: All the specifications are subject to change without notice.