

FEATURES

- 1A-NO and 1C configurations
- 5A switching capabilities
- Subminiature, standard PC layout
- 5KV dielectric strength between coil to contacts
- UL and CUL approval, File No.: E179937
- VDE approval File No.:40025865

CONTACT DATA

Contact form	1A ; 1C
Initial contact Resistance	Max. 70mΩ (at 1A 24VDC)
Contact rating (Res. Load)	5A/250VAC 5A/30VDC TV-2 120VAC, 1/8 HP 125/250VAC C300 PILOT DUTY 125/250VAC
1A	
1C	3A/250VAC 3A/30VDC
Inductive load	2A 250VAC CosΦ=0.5
Max. switching voltage	250VAC/30VDC
Max. switching current	5A
Max. switching capacity	1250VA / 150W
Contact material	AgNi
Unit weight	Approx 4.6g

CHARACTERISTICS

Insulation resistance	1000MΩ at 500VDC
Dielectric strength	5000VAC, 1 min. between coil & contacts 1000VAC, 1 min. between open contacts
Surge voltage between contacts and coil	10000V (at 1.2 x 50μs)
Operate time	8 ms (nominal voltage)
Release time	4 ms (nominal voltage)
Vibration resistance	10-55Hz, 1.65mm
Shock resistance	Functional:100m/s ² ; Destructive:1000m/s ²
Humidity	35% to 95%
Ambient temperature	ME-10A: - 40°C to + 85°C ME-10A-T: - 40°C to + 105°C
Life expectancy	
- Electrical	1 x 10 ⁵ operations
- Mechanical	1 x 10 ⁶ operations

COIL SPECIFICATIONS – 1. Standard

Nominal voltage (VDC)	Pick-up voltage VDC(Max.)	Drop-out voltage VDC(Min.)	Max. allowable voltage(at 20°C)	Nominal current (mA±10%)	Coil resistance (Ω±10%)	Power consumption(mW)
3	2.25	0.15	4	150	20	450
5	3.75	0.25	6.5	90	55	450
6	4.5	0.3	8	75	80	450
9	6.75	0.45	11.5	50	180	450
12	9	0.6	15.5	37.5	320	450
18	13.5	0.9	23.5	25	720	450
24	18	1.2	31	18.8	1280	450
48	36	2.4	62.4	9.4	5120	450

2. Sensitive

Nominal voltage (VDC)	Pick-up voltage VDC (Max.)	Drop-out voltage VDC (Min.)	Max allowable voltage(at 20°C)	Nominal current (mA±10%)	Coil resistance (Ω±10%)	Power consumption(mW)
3L	2.25	0.15	5	66.7	45	200
5L	3.75	0.25	8.5	40	125	200
6L	4.5	0.3	10	33.3	180	200
9L	6.75	0.45	15	22.2	400	200
12L	9	0.6	20.5	16.7	720	200
18L	13.5	0.9	30.5	11.1	1600	200
24L	18	1.2	40.5	8.3	2800	200

ORDERING INFORMATION

ME-10A - 012 - H S L 1

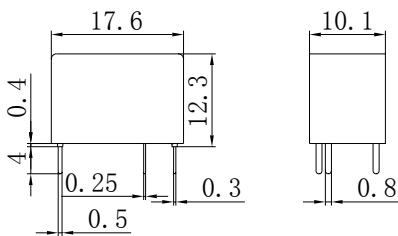
Model No.	Coil Voltage	Contact Form	Protection	Power Consumption	Terminals
ME-10A	3、5、6、9、12、	H: 1A	Nil: Unsealed	Nil: Standard	1: Type 1 terminals
ME-10A-T	18、24 and 48VDC	Z: 1C	S: Sealed	L: Sensitive	2: Type 2 terminals

* NOTE: Sensitive type is suitable for 1A only. *

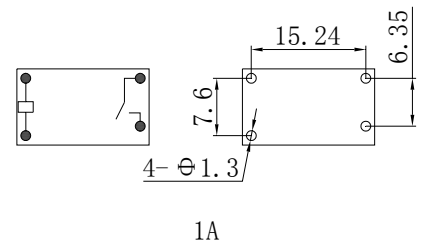
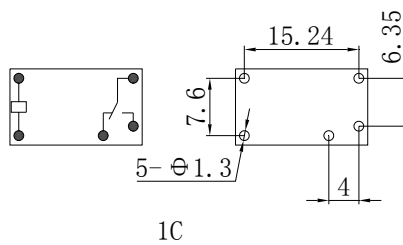
Dimensions(unit:mm)

Tolerance: ±0.3

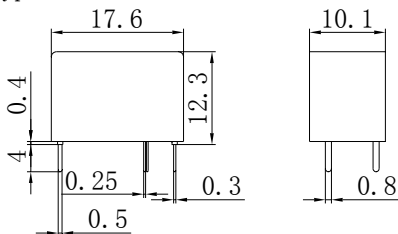
Type 1



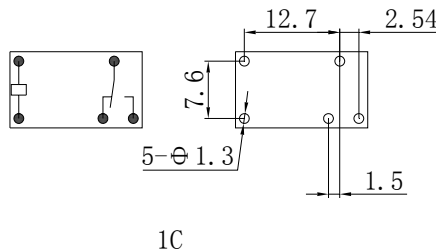
Schematic



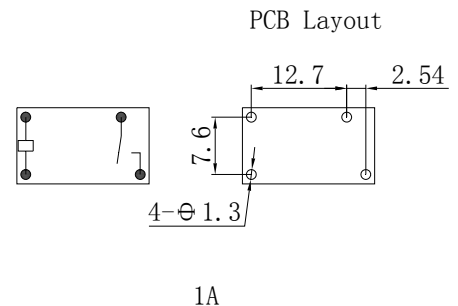
Type 2



Schematic



PCB Layout



Disclaimer: All the specifications are subject to change without notice.