

MASSUSE SOLID STATE RELAY

DC to AC And AC to AC Solid State Relay

ZERO CROSS

MB2002DA MB2003DA MB2004DA MB2006DA MB4004DA
 MB4006DA MB2002AA MB2004AA MB2006AA

NON ZERO CROSS

MB2002DAR MB2003DAR MB2004DAR MB2006DAR MB4004DAR
 MB4006DAR MB2002AAR MB2004AAR MB2006AAR

SPECIFICATION

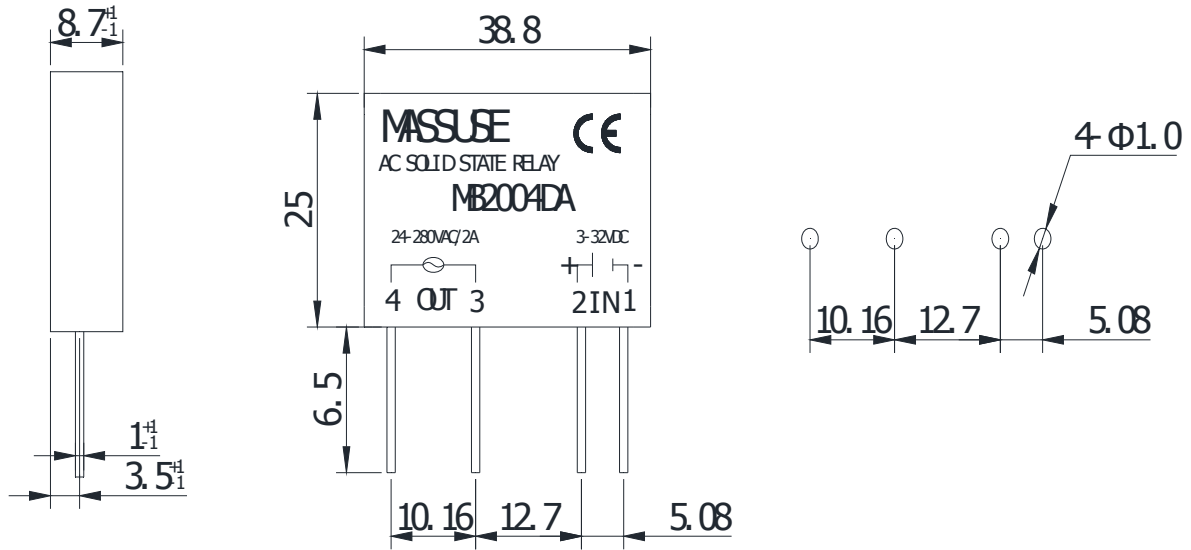
Model No.	Control Voltage Range	Must Turn Off Voltage	Input Impedance	Max. Load Current	Load Voltage Range	Min Blocking Voltage	Max Off-State Leakage	Frequency Range	Max 1-Cycle Peak Surge	Ambient temperature
MB2002DA MB2002DAR	3 to 32VDC	Max. 1.0VDC	1.5Kohm	2A	24 – 280VAC	600VAC	Less 5mA	47 – 70HZ	30A	-20 to 80°C
MB2003DA MB2003DAR	3 to 32VDC	Max. 1.0VDC	1.5Kohm	3A	24 – 280VAC	600VAC	Less 5mA	47 – 70HZ	40A	-20 to 80°C
MB2004DA MB2004DAR	3 to 32VDC	Max. 1.0VDC	1.5Kohm	4A	24 – 280VAC	600VAC	Less 5mA	47 – 70HZ	50A	-20 to 80°C
MB2006DA MB2006DAR	3 to 32VDC	Max. 1.0VDC	1.5Kohm	6A	24 – 280VAC	600VAC	Less 5mA	47 – 70HZ	60A	-20 to 80°C
MB4004DA MB4004DAR	3 to 32VDC	Max. 1.0VDC	1.5Kohm	4A	24 – 480VAC	1200VAC	Less 5mA	47 – 70HZ	50A	-20 to 80°C
MB4006DA MB4006DAR	3 to 32VDC	Max. 1.0VDC	1.5Kohm	6A	24 – 480VAC	1200VAC	Less 5mA	47 – 70HZ	60A	-20 to 80°C
MB2002AA MB2002AAR	80to 280VAC	Max. 1.0VDC	1.5Kohm	2A	24 – 280VAC	600VAC	Less 5mA	47 – 70HZ	30A	-20 to 80°C
MB2004AA MB2004AAR	80to 280VAC	Max. 1.0VDC	1.5Kohm	4A	24 – 280VAC	600VAC	Less 5mA	47 – 70HZ	50A	-20 to 80°C
MB2006AA MB2006AAR	80to 280VAC	Max. 1.0VDC	1.5Kohm	6A	24 – 280VAC	600VAC	Less 5mA	47 – 70HZ	60A	-20 to 80°C

MASSUSE SOLID STATE RELAY

Model No.	Max Off State dv / dt	Max On-State Voltage Drop	Isolate Impedance	Dielectric Strength Input-Output	Turn On Time	Turn Off Time	Capacitanc e In-Out	Weight (g)	Ambient temperature
MB2002DA MB2002DAR	100 V / μ SEC	1.5VAC	10 ⁹ ohm	4000VACrms	Less 2msec	Less 1/2AC cycle	Less 15 pf	10 g	-20 to 80°C
MB2003DA MB2003DAR	100 V / μ SEC	1.5VAC	10 ⁹ ohm	4000VACrms	Less 2msec	Less 1/2AC cycle	Less 15 pf	12 g	-20 to 80°C
MB2004DA MB2004DAR	100 V / μ SEC	2.0VAC	10 ⁹ ohm	4000VACrms	Less 2msec	Less 1/2AC cycle	Less 15 pf	12 g	-20 to 80°C
MB2006DA MB2006DAR	200 V / μ SEC	2.0VAC	10 ⁹ ohm	4000VACrms	Less 2msec	Less 1/2AC cycle	Less 15 pf	12 g	-20 to 80°C
MB4004DA MB4004DAR	500 V / μ SEC	2.0VAC	10 ⁹ ohm	4000VACrms	Less 2msec	Less 1/2AC cycle	Less 15 pf	12 g	-20 to 80°C
MB4006DA MB4006DAR	500 V / μ SEC	2.0VAC	10 ⁹ ohm	4000VACrms	Less 2msec	Less 1/2AC cycle	Less 15 pf	12 g	-20 to 80°C
MB2002AA MB2002AAR	100 V / μ SEC	1.5VAC	10 ⁹ ohm	4000VACrms	Less 2msec	Less 1/2 cycle	Less 15 pf	10 g	-20 to 80°C
MB2004AA MB2004AAR	100 V / μ SEC	2VAC	10 ⁹ ohm	4000VACrms	Less 2msec	Less 1/2 cycle	Less 15 pf	12 g	-20 to 80°C
MB2006AA MB2006AAR	200 V / μ SEC	2VAC	10 ⁹ ohm	4000VACrms	Less 2msec	Less 1/2 cycle	Less 15 pf	12 g	-20 to 80°C

MB series

Dimensions(unit: mm)



EQUIVALENT CIRCUIT

